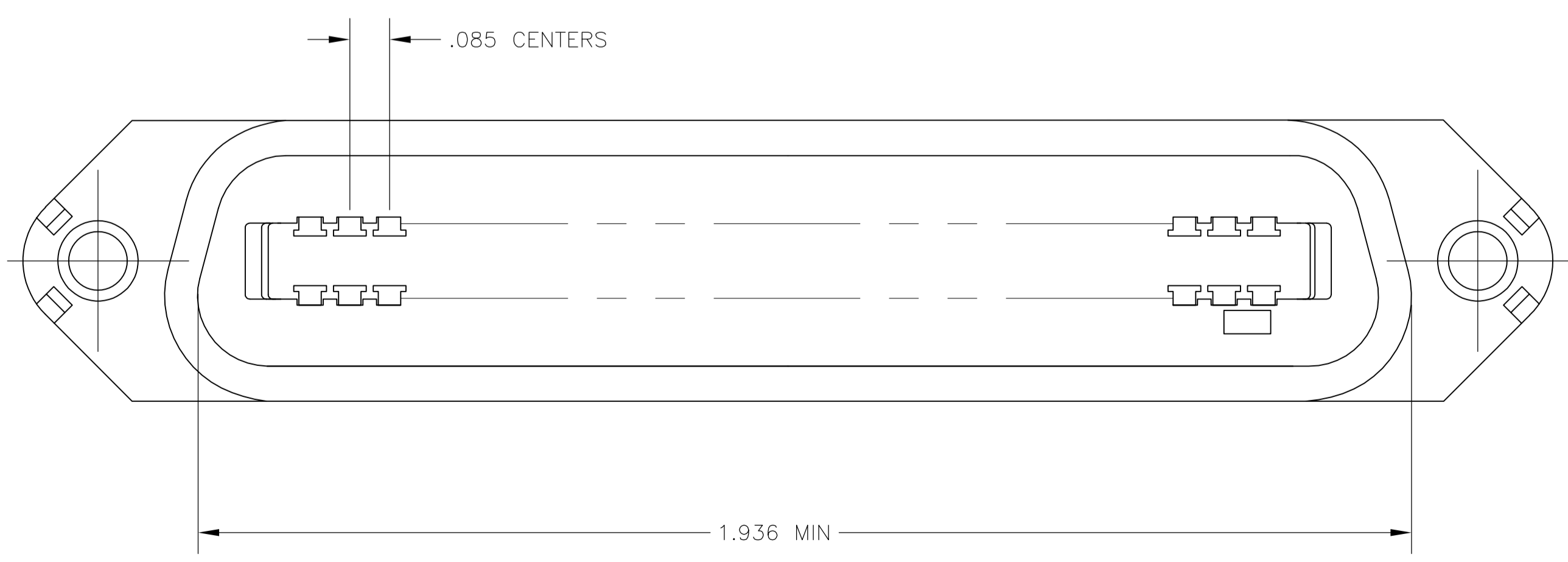
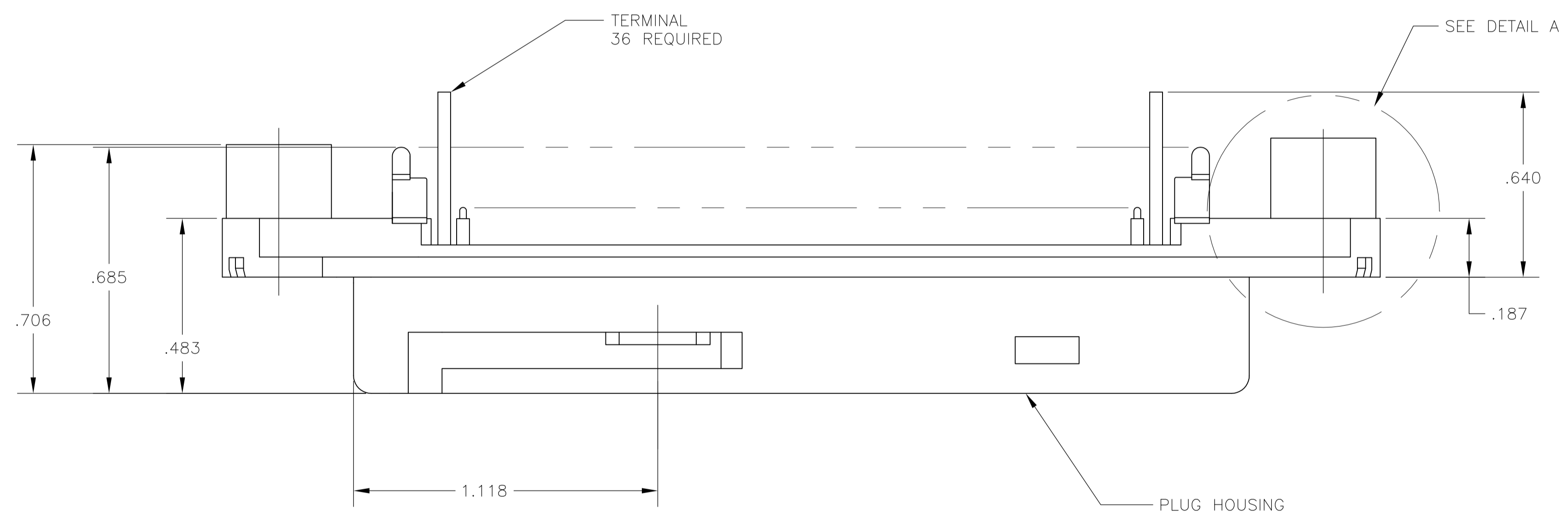
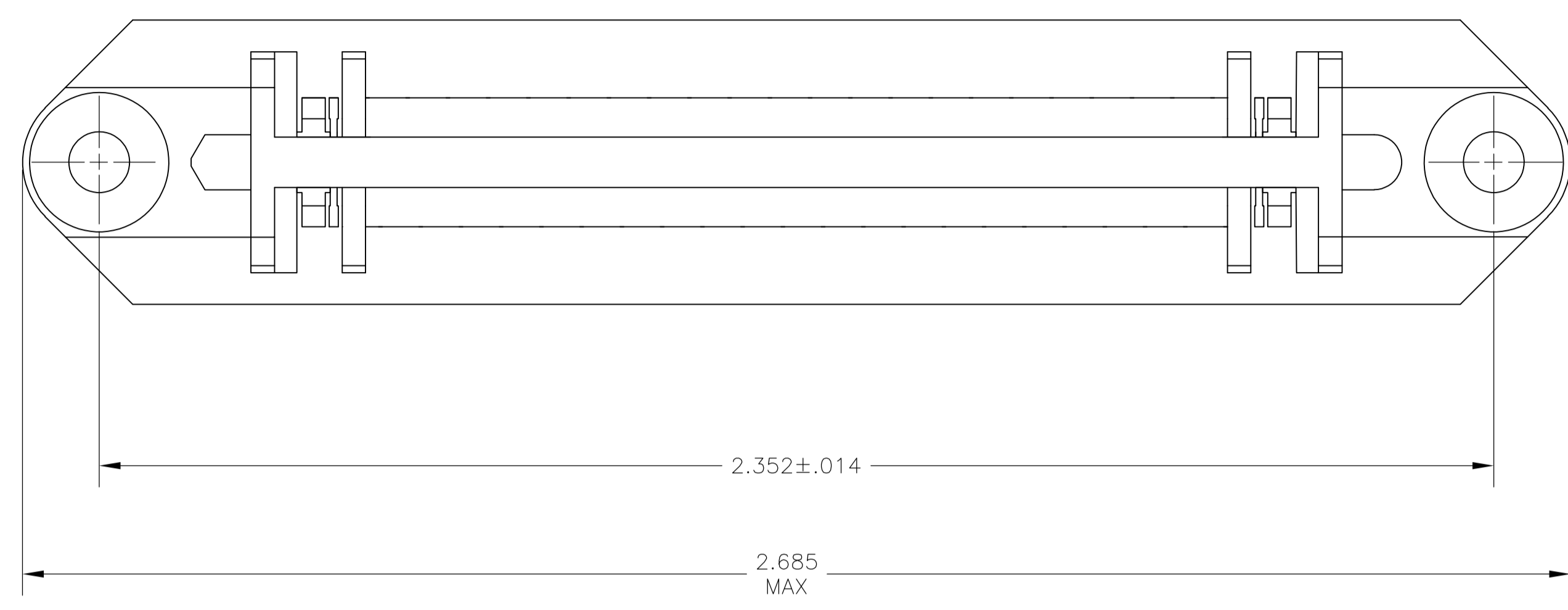
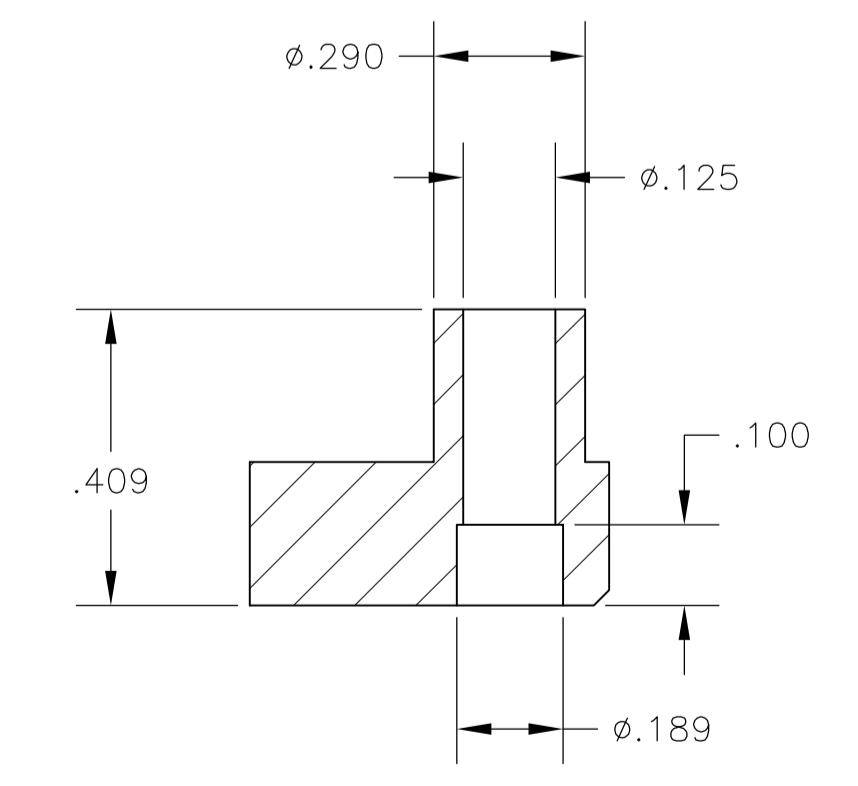
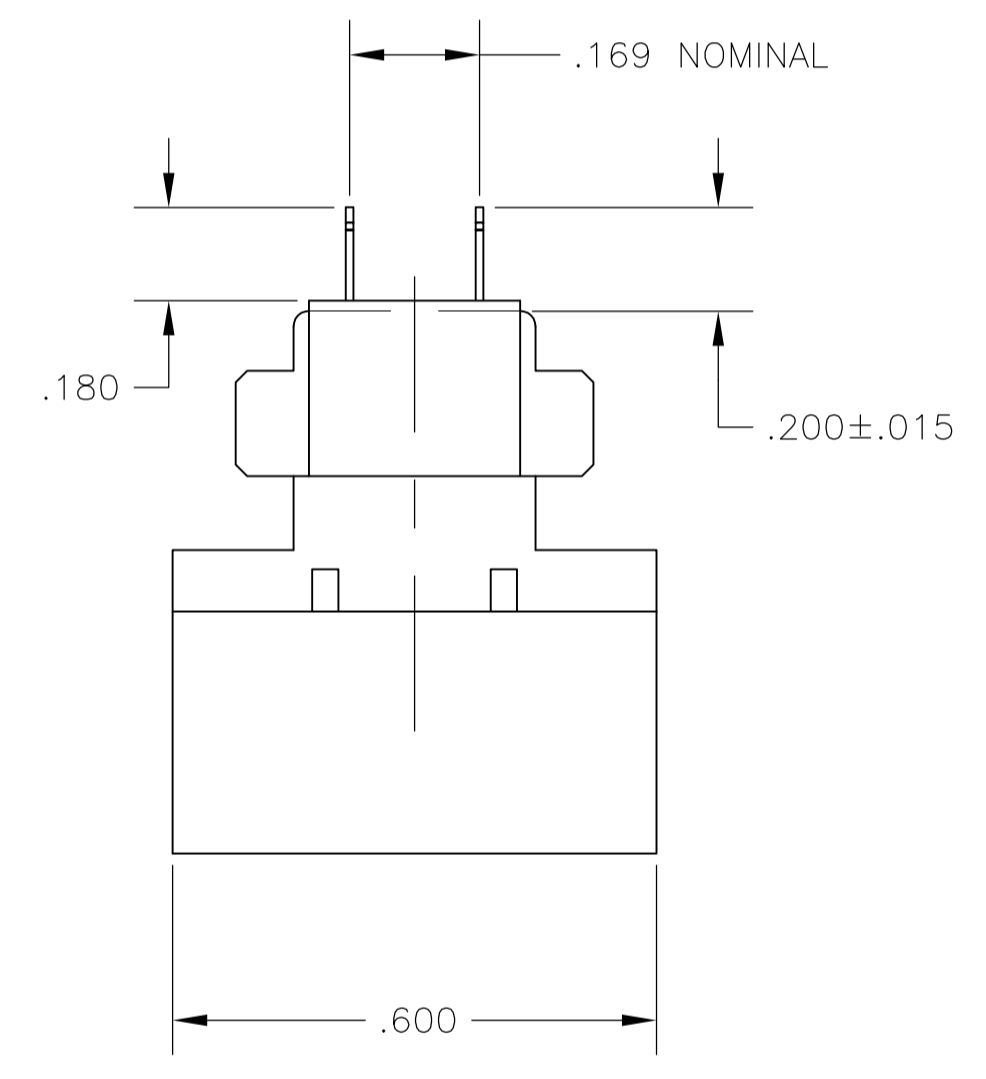


LOC		DIST		REVISIONS			
GP	00	REV	DATE	BY	CHK	APP	REV
B		REVISED PER ECO-08-007327	22JUL08	BM	WM		



1. THE CONTACT SURFACES OF THE TERMINALS ARE COATED WITH LUBRICANT.
2. MATERIAL: HOUSING - THERMOPLASTIC, BLACK. TERMINAL - PHOS BRONZE PLATED WITH EITHER .000030 MINIMUM GOLD PLATE OR GOLD FLASH OVER PALLADIUM NICKEL PLATE, .000030 MINIMUM TOTAL ON MATING SURFACE. .000120 MINIMUM TIN ON TAILS OVER .000050 MINIMUM NICKEL UNDERPLATE OVER ENTIRE TERMINAL.
3. ALL DIMENSIONS SHOWN ARE FOR REFERENCE ONLY UNLESS OTHERWISE SPECIFIED.



DETAIL A

5552232-1  
PART NUMBER

THIS DRAWING IS A CONTROLLED DOCUMENT.		DWN B. LATTUCA 22AUG05 CHK W. MILLHIMES 22AUG05 APVD M. WALMSLEY 22AUG05	Tyco Electronics Corporation Harrisburg, PA 17105-3608
DIMENSIONS: INCHES 0 PLG ± - 1 PLG ± - 2 PLG ± - 3 PLG ± - 4 PLG ± - ANGLES ± -	TOLERANCES UNLESS OTHERWISE SPECIFIED: 3	NAME PLUG ASSY, 36 POSN, VERT MTG, CHAMP-LOK APPLICATION SPEC SIZE A1 CAGE CODE 00779 DRAWING NO 5552232	RESTRICTED TO CUSTOMER DRAWING
MATERIAL FINISH		WEIGHT SCALE 4:1	SHEET 1 OF 1 REV B