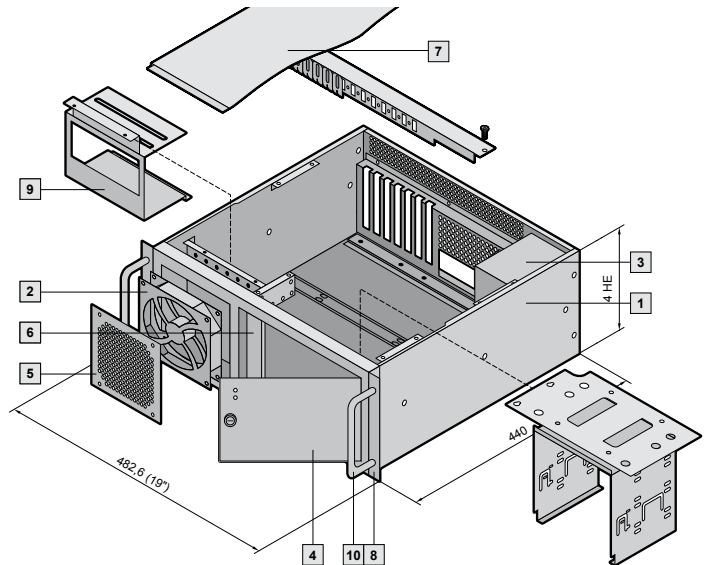


ATX 4 U, sheet steel



HE = U

Technical specifications:
482.6 mm (19") rack-mount system for the installation of ATX/Mini-ATX or Micro-ATX boards and 3 x 5¼" and 1 x 3½" drives.

Width: 482.6 mm (19")
Height: 4 U (177.0 mm)
Side panels: 174.0 mm
Total depth: 442.5 mm
Suitable for mounting on slide rails.

Material/surface finish:
Case, covers, front panels: 1.2 mm sheet steel, spray-finished in RAL 7035, unpainted contact points

Standards:
Complies with IEC 60 297-3 and ATX specification 2.01

Special designs available on request.

Supply includes:

- 1 Rack-mount system 4 U, including drive holder
- 2 1 x 120 mm fan and filter mat, exchangeable from the front
- 3 ATX power pack 300 W
- 4 Front door, vertically hinged, lockable

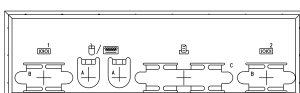
- 5 Front panel with ventilation holes and filter mat
- 6 LED displays, speakers, Reset switch, on/off switch
- 7 Cover
- 8 Two 482.6 mm (19") flanges
- 9 Drive holder for 4 x 3½" hard drives

	Packs of		Page
U		4	
Width mm		482.6 (19")	
Height of flanges/side panels, mm		177.0/174.0	
Depth mm		442.5/440.0	
Order No. basic system fully assembled	1	3659.900	
Accessories			
Card retainer	7	3659.010	65
Mounting bar for card retainer	1	3659.090	65
Unused slot cover	5	3659.030	64
Cover for 5¼" drive space	1	3659.110	64
Cover for 3½" drive space	1	3659.410	64
Uninterruptible power supply	1	3659.080	161
Telescopic slides for 600 mm enclosure depth	1 set	3659.180	64
Telescopic slides for 800 mm enclosure depth	1 set	3659.190	64
10 Front handles for ATX 4 U	2	3659.240	64
ATX I/O covers, sheet steel¹⁾			
Type „Aurora Marl“	1	3659.040	–
Type „Tucson“/„Venus“	1	3659.130	–
Type „Providence“	1	3659.140	–

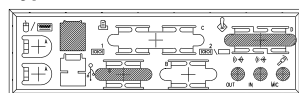
¹⁾ Other versions available on request; please specify the type of mainboard.

ATX I/O covers:

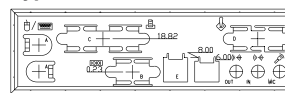
Type „Aurora Marl“



Type „Venus“



Type „Providence“



Type „Tucson“

