

Product Information

G-SFP-W Series

Gigabit Multi-Mode SFP Transceiver



Features

- ❖ Single + 3.3V power supply
- ❖ Differential Inputs and Outputs
- ❖ Small Form Factor Pluggable MSA Compliant
- ❖ Industrial Operation Temp.: -40°C to +75 °C
- ❖ RoHS Compliant

HENRICHTM
Henrich Electronics Corporation

Main Office

Tel: 860-487-9869

Fax: 860-487-9478

www.henrich-inc.com

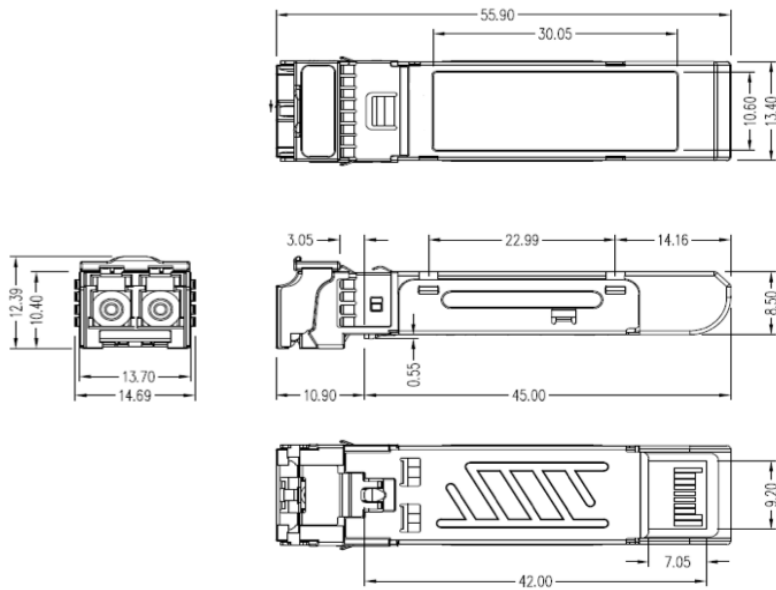
Introduction

The transceiver from Henrich is small form factor pluggable module with standard duplex connector for fiber communications. This module is designed for Multi-mode-fiber (MMF) and operates at a nominal wavelength of 1310 nm with cost effective and high performance. It is with the SFP 20-pin connector to allow hot plug capability.

Specifications

Absolute Maximum Ratings	
Supply Voltage	0~4V
Storage Temperature	-40 to +85°C
Operating Temperature	-40 to +75°C
Lead Soldering Limits	MAX: 260/10°C /sec
General Specifications	
Data Rate	0.8 to 1.5Gbps, type: 1.25Gbps
Supported Link Length on 9/125µm SMF	Min: 2Km
Supply Current	Max:300mA
Power Dissipation	1000mW
Transmitter Electrical Characteristics	
Supply Voltage	3.15 to 3.45V, type:3.3V
Data Differential Input Voltage	400 to 2000mV
Disable Input Voltage	-1.81 to -1.48V
Enable Input Voltage	-1.16 to -0.88V
TX Fault Voltage-High (Fault)	Min:2.0V
TX Fault Voltage-Low (Normal)	0-0.8V
POut@TX Disable Asserted	Max:-45dBm
Transmitter Optical Characteristics	
Output Optical Power on 9µm SMF :	-8 to -2dBm
Center Wavelength :	1280 to 1340nm
Side Mode Suppression Ratio	Min:30dB
Spectral Width (-20dB)	Max:1nm
Spectral Width (RMS)	Max: 2nm
Optical Rise Time (20%-80%)	Max: 0.26ns
Optical Fall Time (20%-80%)	Max: 0.26ns
Extinction Ratio	Min: 9dB
Receiver Electrical Characteristics	
Supply Voltage	3.15 to 3.45V, type:3.3V
Data Differential Output Voltage	500 to 1200mV
Receiver LOS/SD Output Voltage-High	Min:2.0V
Receiver LOS/SD Output Voltage-Low	0 to 0.8V
Data Output Rise Time (20%-80%)	Max: 0.35ns
Data Output Fall Time (20%-80%)	Max: 0.35ns
Receiver Optical Characteristics	
Maximum Receiver Power	Min: -3dBm
Receiver Sensitivity	Max: -24dBm
Operating Wavelength	1100 to 1600nm
Receiver LOS/SD Output Voltage-Low	0 to 0.8V
Optical Return Loss	Max: 12dB
Signal Detect-Asserted	Max:- 24dBm avg.
Signal Detect-Deasserted	Min: -36dBm avg.
Signal Detect-Hysteresis	Min:0.5dB
Warranty	
Warranty Period :	2 Years

Dimension drawings



Units:mm

Ordering Information

G-SFP-W	Multi Mode Fiber Port with LC Connector, 2KM, TX1310nm,Industrial Wide Temperature:-40°C to +75°C.
---------	--