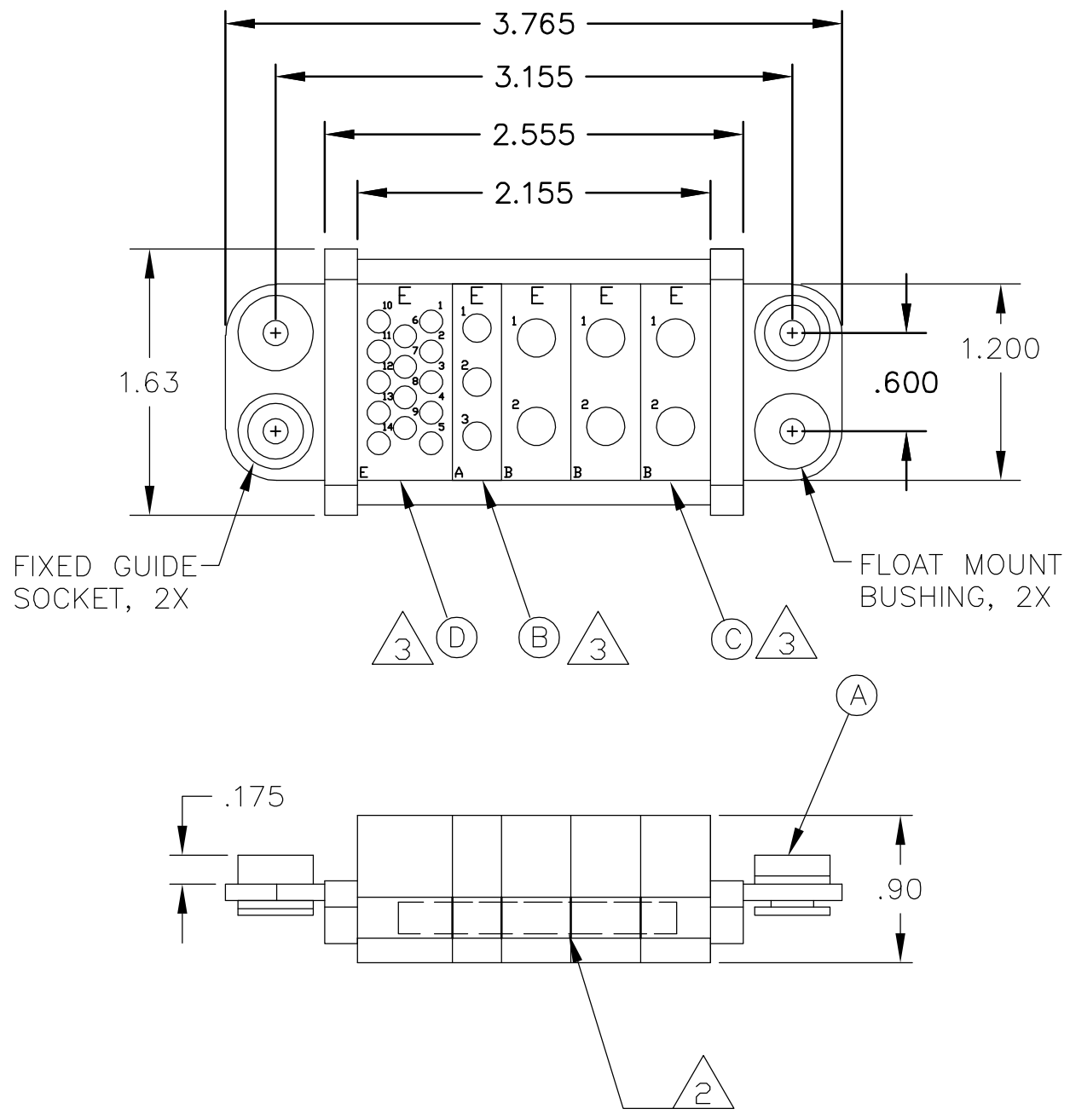


THIS DRAWING IS UNPUBLISHED. RELEASED FOR PUBLICATION
 © COPYRIGHT - BY TYCO ELECTRONICS CORPORATION. ALL RIGHTS RESERVED.

LOC	DIST	REVISIONS					
GP	00	P	LTR	DESCRIPTION	DATE	DWN	APVD
			A	NEW RELEASE	8MAR07	RG	DO



1. PART NUMBER CHANGES AND/OR DESIGN CHANGES AFFECTING ITEM INTERCHANGEABILITY REQUIRE PRIOR TYCO APPROVAL AND AUTHORIZATION BY REVISION TO THIS DRAWING.

2. ITEMS PROVIDED TO THIS SPECIFICATION TO BE PERMANENTLY IDENTIFIED PER THE FOLLOWING IDENTIFIER:

YEAR WEEK
 TYCO PART NUMBER DATE CODE (e.g. 0212)
 XXXXXXXX-X XXXXX

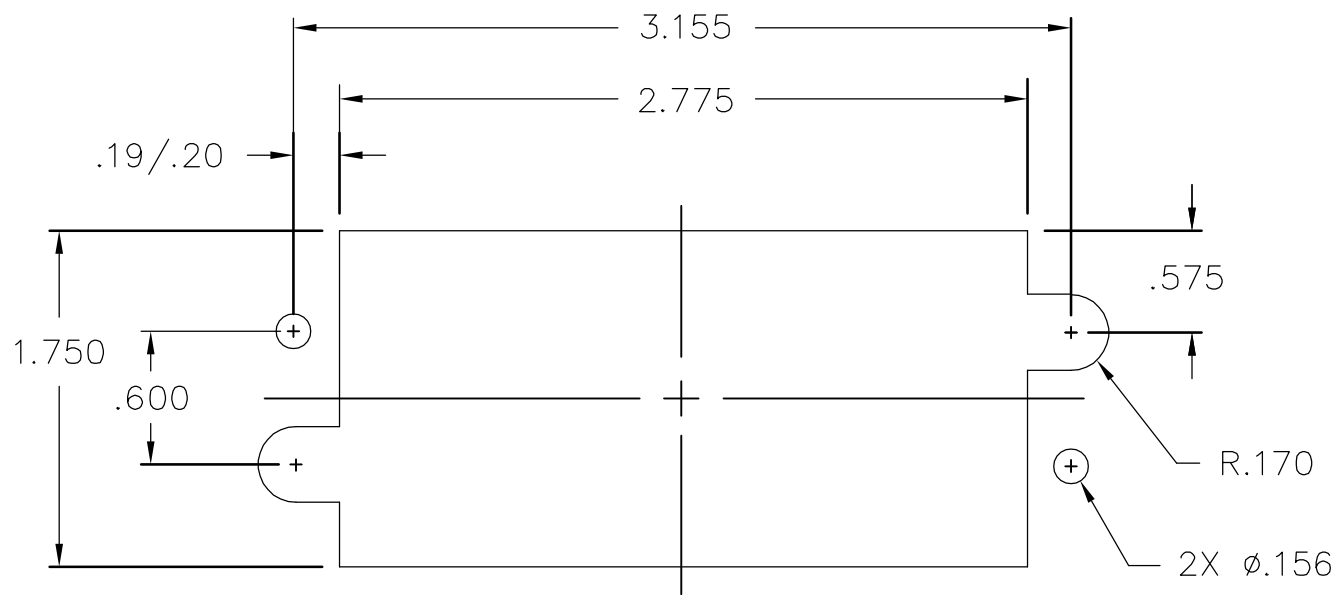
3. MODULES NOTED ARE CRIMP REMOVABLE STYLE. THIS ASSEMBLY DOES NOT INCLUDE SOCKET CONTACTS. PROPER CONTACT ORDERING AND SELECTION SHALL BE THE RESPONSIBILITY OF THE CUSTOMER.

1	1648470-1	MODULE E	D
3	1648467-1	MODULE B	C
1	1648466-1	MODULE A	B
2	6648252-1	END CAP, GUIDE SOCKET, FLOAT	A
-1	PART NUMBER	DESCRIPTION	ITEM

THIS DRAWING IS A CONTROLLED DOCUMENT.		DWN R.GRZYBOWSKI 08MAR2007	Tyco Electronics Corporation Harrisburg, PA 17105-3608	
DIMENSIONS: INCHES		CHK D.ORRIS 8FEB07	NAME S.FLICKINGER 8FEB07	
TOLERANCES UNLESS OTHERWISE SPECIFIED:		PRODUCT SPEC	SOCKET CONNECTOR DOMINO W/ PANEL CUT-OUT	
0 PLC ± -		APPLICATION SPEC	SIZE	CAGE CODE
1 PLC ± -		WEIGHT	A3	00779
2 PLC ± .02			DRAWING NO C=6646122	
3 PLC ± .010			RESTRICTED TO	
4 PLC ± -				
ANGLES ± 5				
FINISH				
MATERIAL				
		CUSTOMER DRAWING		SCALE 1:1
		SHEET 1 OF 2		REV A

THIS DRAWING IS UNPUBLISHED. RELEASED FOR PUBLICATION
 © COPYRIGHT - BY TYCO ELECTRONICS CORPORATION. ALL RIGHTS RESERVED.

LOC	DIST	REVISIONS					
GP	00	P	LTR	DESCRIPTION	DATE	DWN	APVD
		-		SEE SHEET 1	-	-	-



SOCKET PANEL MOUNT CUTOUT
 SCALE: NONE

THIS DRAWING IS A CONTROLLED DOCUMENT.		DWN R.GRZYBOWSKI 08MAR2007	Tyco Electronics Corporation Harrisburg, PA 17105-3608	
DIMENSIONS: INCHES		CHK D.ORRIS 8FEB07	NAME	
		APVD S.FLICKINGER 8FEB07	SOCKET CONNECTOR DOMINO W/ PANEL CUT-OUT	
TOLERANCES UNLESS OTHERWISE SPECIFIED:		PRODUCT SPEC	RESTRICTED TO	
0 PLC ± - 1 PLC ± - 2 PLC ± .02 3 PLC ± .010 4 PLC ± - ANGLES ± 5		APPLICATION SPEC	SIZE A3	CAGE CODE 00779
MATERIAL		WEIGHT	DRAWING NO G-6646122	SCALE 1:1
FINISH		CUSTOMER DRAWING		SHEET 2 OF 2
				REV A