
7" GEMmodule™

MK-070R

Data Sheet

Introduction:

The MK-070R is a fully integrated 7" WVGA production color display module to support a variety of embedded control interface applications. Featuring the Amulet GEM Graphical OS Chip™ for color displays, the module can be easily programmed using GEMstudio™, the easiest GUI design tool in the embedded space.

Features:

- 800x480 WVGA TFT LCD
- White LED backlight
- Integrated resistive touch panel
- Amulet GEM Graphical OS Chip™
- 24 Pin Interconnector
- Royalty-free Graphical Operating System™
- On-Board memory - 64Mb Serial Flash for storing GUI pages
- Touch Panel Controller - Built into Graphical OS Chip™
- Color Supported - Palettized 8bit (1-bit alpha)
- Backlight can be controlled via the touch panel or external command
- Supports Unicode - Foreign language character sets
- Font Converter - Built-in

General Specification

ITEM	STANDARD VALUE	UNIT
Pixels (Resolution)	800 X 480	dots
Outline dimension	164.9(H) x 100(V) x TBD(D)	mm
Active area	154.8(H) x 85.92(V)	mm
Pixel Size	0.1929 x 0.179	mm
Luminance	350 Typ.	Cd/m2
Operation Temp.	70 - 20	C
View Angle	12 O'Clock	
Display Mode	TM, NW	
Backlight	24 White LED	
Backlight Control	PWM	
Data Flash	64 Megabit	
Interface	USB / RS232 / UART	

Electrical Characteristic

Recommended Operating Conditions

5V	5V Recommended
5V Current	TBD Min

DC Characteristics

V core Supply Current	22mA @1.2V
V input Low Level	-0.3 to 0.8V
V input High Level	2V to (Vcc + 0.3V)
Pull Up Resistors	70K to 175KOhms
IO Output Current	8mA
Static Current Excluding Power on Reset V core = 1.2V	600uA
Static Current Logic cells consumption, including Power on Reset and all input drivers V core = 1.2V	30uA

Pin Descriptions

Pin Type

I = Input

O = Output

P = Power Supply

Pin #	Signal	Type	Description
1	5V	P	5V @ 300mA
2	5V	P	5V @ 300mA
3	GND	P	Ground
4	GND	P	Ground
5	SCL	O	Serial Clock
6	SDA	O	Serial Data
7	COMMU RXD	I	CommU RXD UART
8	COMMU TXD	O	CommU TXD UART
9	PWM 1	O	Programmable Clock 1
10	PWM 2	O	Programmable Clock 2
11	Prog M	I	Program Mode - Float = Prog / GND = Run Note:1
12	PWM 0	O	Programmable Clock 0
13	RS232 TXD	O	TXD from RS232 Transceiver
14	T_CAL	I	Touch Panel Cal. - Float = Cal / GND = Normal Note:1
15	PROGU RXD	I	PROGU RXD UART
16	PROGU TXD	O	PROGU TXD UART
17	SPI C3	O	SPI Chip Select 3
18	RS232 RXD	I	RXD from RS232 Transceiver
19	SPI C2	O	SPI Chip Select 2
20			
21	MISO	O	SPI DATA In
22	SCLK	O	SPI Clock
23	RESET	O	System Reset by driving pin low
24	MOSI	O	SPI DATA Out

Note:1 Internally pulled up. Only pull to ground

Table 1. Header J3 24pin, 2mm, Hirose DF-11-24DP-2DSA

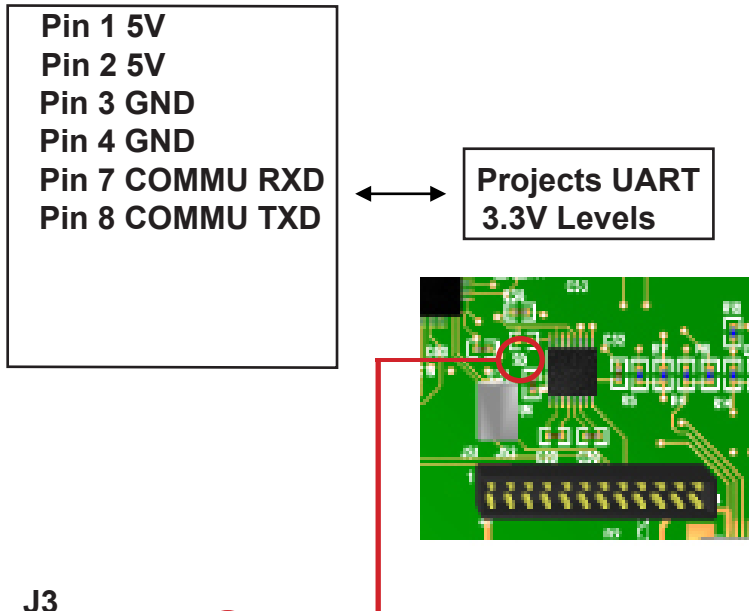
Mating Connectors

Hirose DF11-24DS-2R26 Straight
 DF11-24DS-2C Right Angle
 DF11-24DS-2DSA Board

JST PHDR-24VS

J3 Wiring

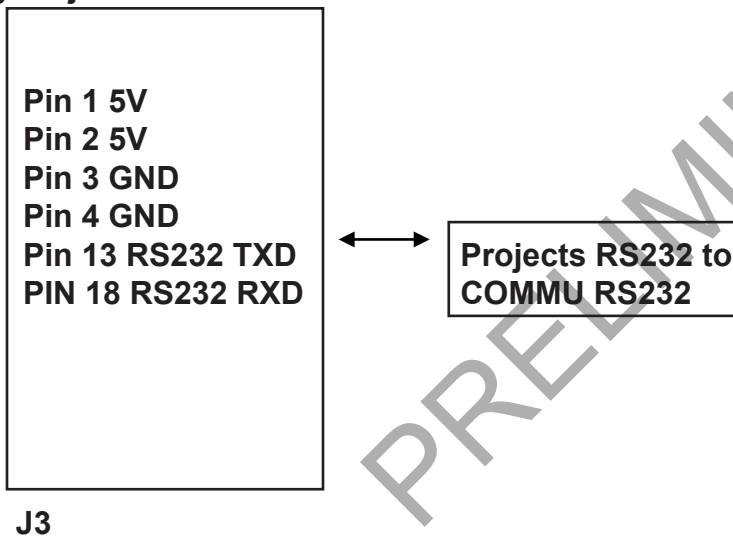
Connecting Project via UART



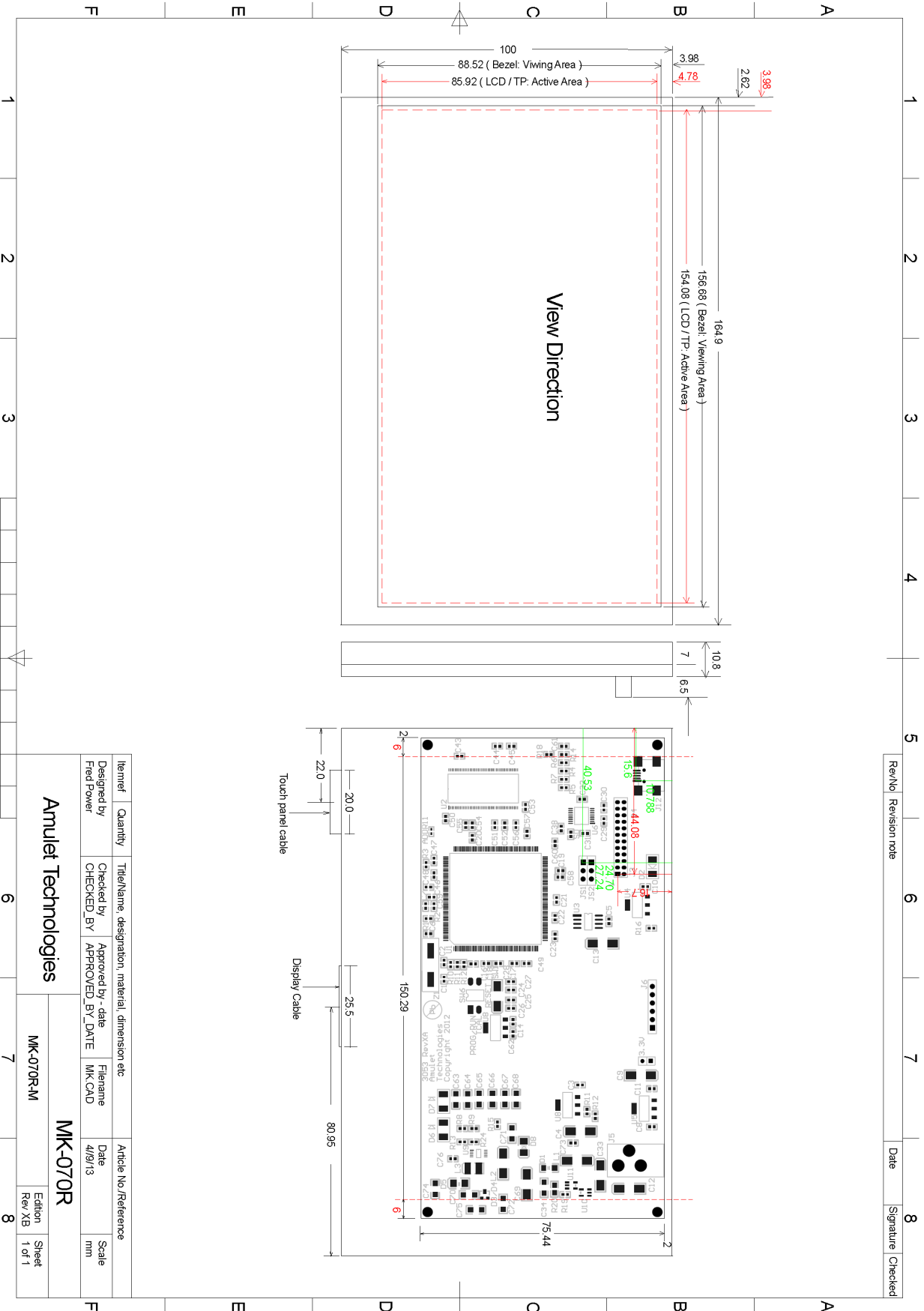
J3

Note: Cut Trace across SD and Jumper "D" side to C38 "8" side GND to take the RS232 Transceiver out of circuit.

Connecting Project via RS232



J3



RevNo						Revision note		Date		Signature		Checked	
6								7		8			
Item#		Quantity	TitleName, designation, material, dimension etc		Article No./Reference								
Designed by Fred Power		Checked by CHECKED_BY		Approved by DATE APPROVED_BY DATE		Filename MK.CAD		Date 4/9/13		Scale mm			
Amulet Technologies						MK-070R		Edition Rev XB		Sheet 1 of 1			
7						MK-070R-M		8					

PRELIMINARY

Notes:

Communication and Program UARTs can be used for programming as well as for communication with the application's host processor.

If you wish to program via UART make sure you can get to the Reset and the Program Mode pins. These will only be needed if a serious programming issue occurs.

Pass-Through Programming information is available at our website under Field Update Utilities: <http://www.amulettechnologies.com/support/downloads/fieldupdates.html>.

Momentarily grounding reset with an open collector device or momentary switch will cause a reset. Reset must be applied after the Program Mode pin is changed for us to see it.

PRELIMINARY



Tel (408) 374-4956
Fax (408) 374-4941
<http://www.AmuletTechnologies.com>
Sales@AmuletTechnologies.com
Support@AmuletTechnologies.com
1475 S. Bascom Ave., Suite 111
Campbell, CA 95008 USA

Disclaimer: The information in this document is provided in connection with Amulet Technologies, LLC (Amulet) products. No license, express or implied, to any intellectual property right is granted by this document or in connection with the sale of Amulet products. EXCEPT AS SET FORTH IN AMULET'S TERMS AND CONDITIONS OF SALE WHERE AMULET IS THE SELLER, AMULET ASSUMES NO LIABILITY WHATSOEVER AND DISCLAIMS ANY EXPRESS, IMPLIED OR STATUTORY WARRANTY RELATING TO ITS PRODUCTS INCLUDING, BUT NOT LIMITED TO, THE IMPLIED WARRANTY OF MERCHANTABILITY, FITNESS FOR A PARTICULAR PURPOSE, OR NON-INFRINGEMENT. IN NO EVENT SHALL AMULET BE LIABLE FOR ANY DIRECT, INDIRECT, CONSEQUENTIAL, PUNITIVE, SPECIAL OR INCIDENTAL DAMAGES (INCLUDING, WITHOUT LIMITATION, DAMAGES FOR LOSS AND PROFITS, BUSINESS INTERRUPTION, OR LOSS OF INFORMATION) ARISING OUT OF THE USE OR INABILITY TO USE THIS DOCUMENT, EVEN IF AMULET HAS BEEN ADVISED OF THE POSSIBILITY OF SUCH DAMAGES. Amulet makes no representations or warranties with respect to the accuracy or completeness of the contents of this document and reserves the right to make changes to specifications and product descriptions at any time without notice. Amulet does not make any commitment to update the information contained herein. Unless specifically provided otherwise, Amulet products are not approved for use in automotive applications, medical applications (including, but not limited to, life support systems and other medical equipment), avionics, nuclear applications, or other high-risk applications (e.g., applications that, if they fail, can be reasonably expected to result in significant personal injury or death).

