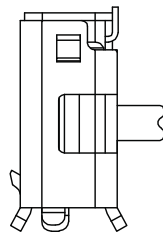
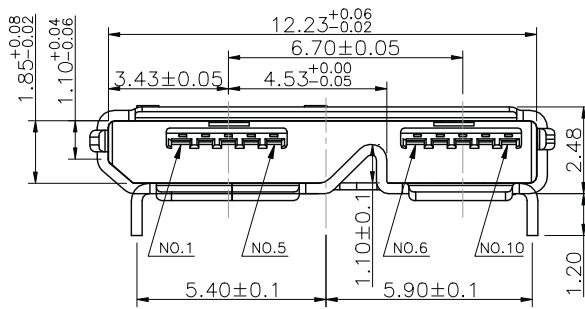
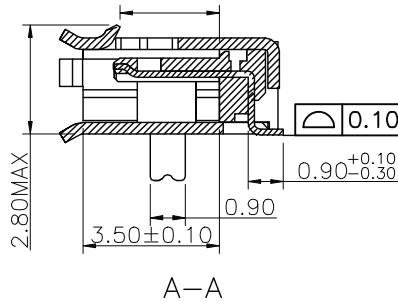


Recommended PCB Layout



2.55



Material:

- Insulator: LCP color-Black
- Shell: 0.3MM Thickness, Flash
- USB Contact: Brass 0.15MM Thickness, selective gold
- Plated on contact area, gold flash plated on solder tail
- Plated on the soldering tab
- 80µ" min. nickel underplated overall

Unit: MM±0.20MM

Scale	1:1					Name
TOLERANCE					Drawn	10.19.11
X.X	±0.40				Approved	
X.XX	±0.25					
X.XXX	±0.15					
Angle	±3°					
		Modification	Date	Name	Replace	

Item No.	AU-Y1009/3-B-R
Title	USB Micro Connector 3.0 - SMT, B Female Type, 15µ", 10-pin for PCB Mount
Drawing No.	
	rev00
	Sheet

