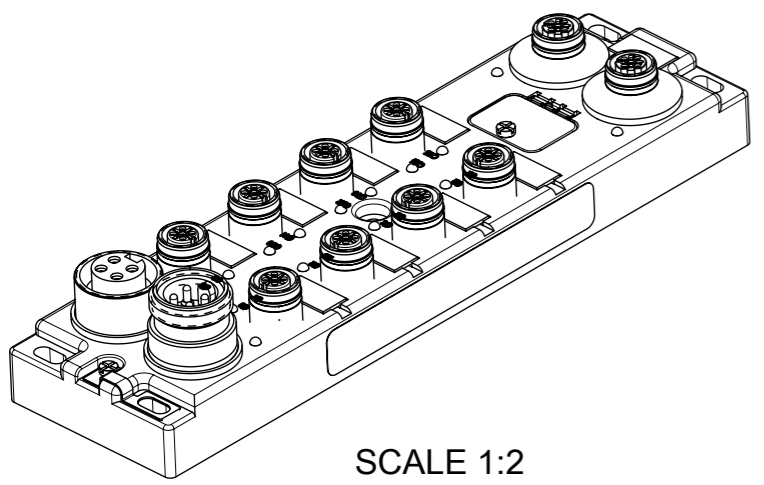


FIXING HOLES
SUITABLE FOR M5
SCREWS

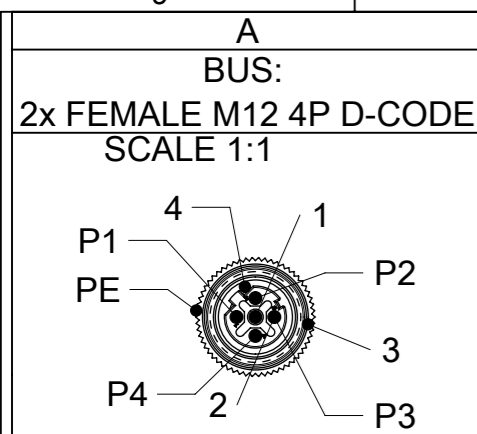
FIXING HOLES
SUITABLE FOR M5
SCREWS



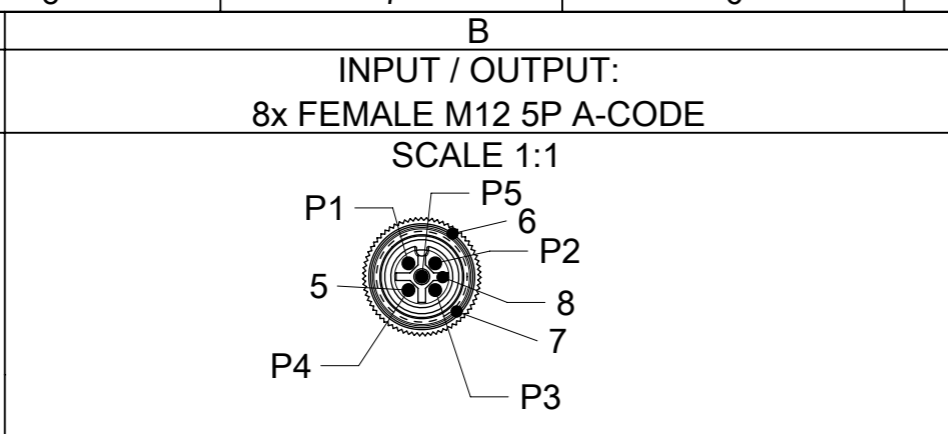
SCALE 1:2

THIS DRAWING CONTAINS INFORMATION THAT IS PROPRIETARY TO MOLEX INCORPORATED AND SHOULD NOT BE USED WITHOUT WRITTEN PERMISSION

EC DESCRIPTION EC NO: 112857 DRWN: ULETTENMEIER 2017/01/26 CHK'D: APPR: RSILLER 2017/01/26	QUALITY SYMBOLS	GENERAL TOLERANCES (UNLESS SPECIFIED)	DIMENSION UNITS	SCALE		
	▽ = 0 ▽ = 0 ▽ = 0 ▼ = 0 ▽ = 0 ⊠ = 0 ■ = 0 ▽ = 0	ANGULAR TOL ± ° 4 PLACES ± 3 PLACES ± 2 PLACES ± 1 PLACE ± 0.3 0 PLACES ± 0.5 DRAFT WHERE APPLICABLE MUST REMAIN WITHIN DIMENSIONS	MM	1:1		
	DRWN BY	DATE	ULETTENMEIER	2015/01/19		
	CHK'D BY	DATE				
APPR BY	DATE	RSILLER	2015/06/25	PRODUCT CUSTOMER DRAWING		
DRAWING SIZE	THIRD ANGLE PROJECTION	A3	SERIES: 112095 MATERIAL NUMBER: SEE TABLE 1,2,3,4,5,6 CUSTOMER: GENERAL MARKET			
REV		A2	DOCUMENT NUMBER: 1120950007	DOC TYPE: PSD	DOC PART: 000	SHEET NUMBER: 1 OF 8



WIRING INFORMATION
P1 TX+
P2 RX+
P3 TX-
P4 RX-

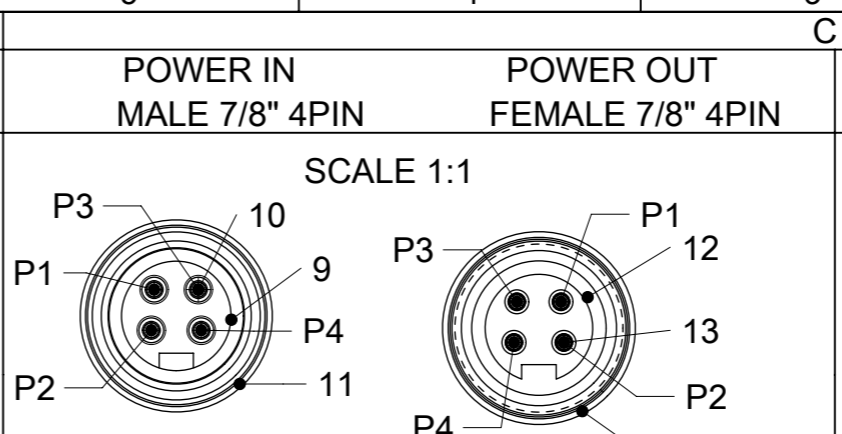


WIRING INFORMATION INPUT

P1 - +24 VDC
P2 - Input (even)
P3 - 0 V (Ground)
P4 - Input (odd)
P5 - PE (Protected Earth)

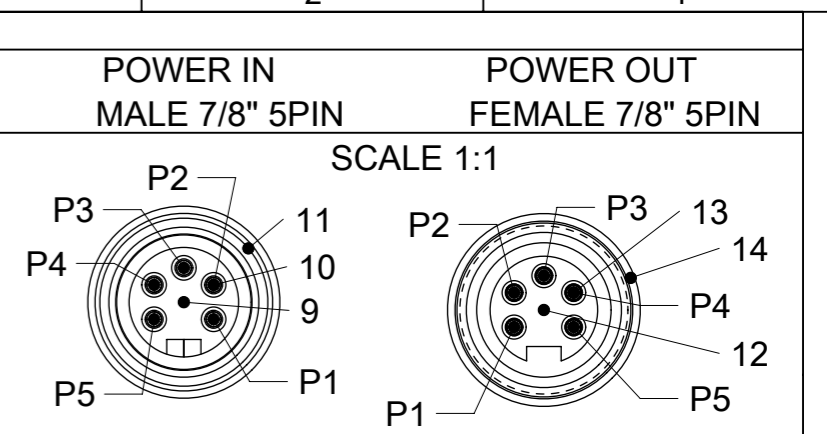
WIRING INFORMATION OUTPUT

P1 - N/C
P2 - Output (even)
P3 - 0 V (Ground)
P4 - Output (odd)
P5 - PE (Protected Earth)



WIRING INFORMATION

P1 - +24 VDC (Outputs Power)
P2 - +24 VDC (Module & Inputs Power)
P3 - 0 V (Module & Inputs Power)
P4 - 0 V (Outputs Power)

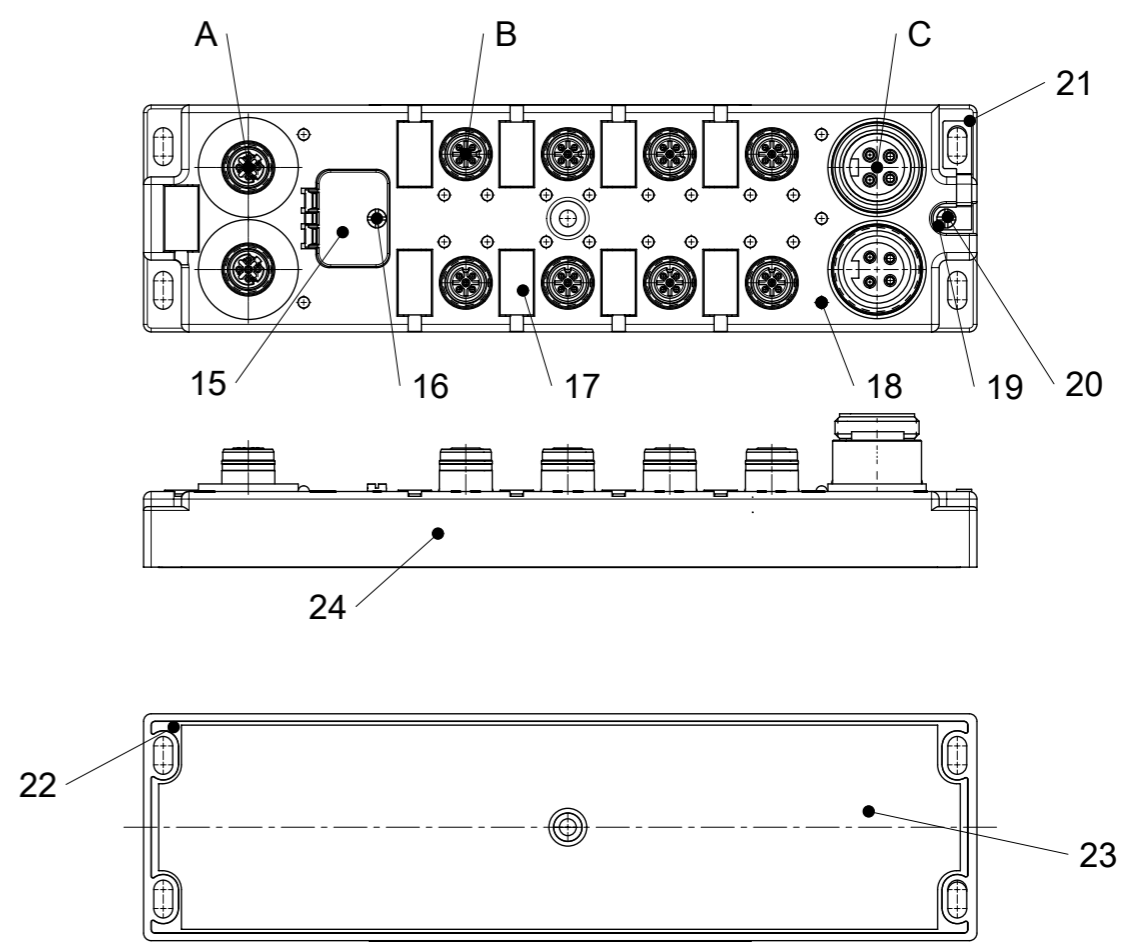
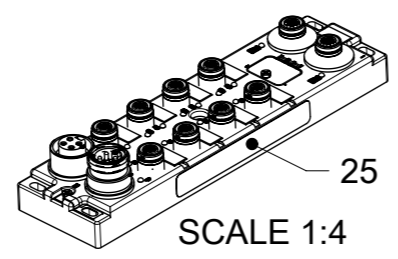


WIRING INFORMATION

P1 - 0 V (Outputs Power)
P2 - 0 V (Module & Inputs Power)
P3 - PE (Protected Earth)
P4 - +24 VDC (Module and Inputs Power)
P5 - +24 VDC (Outputs Power)

BILL OF MATERIAL

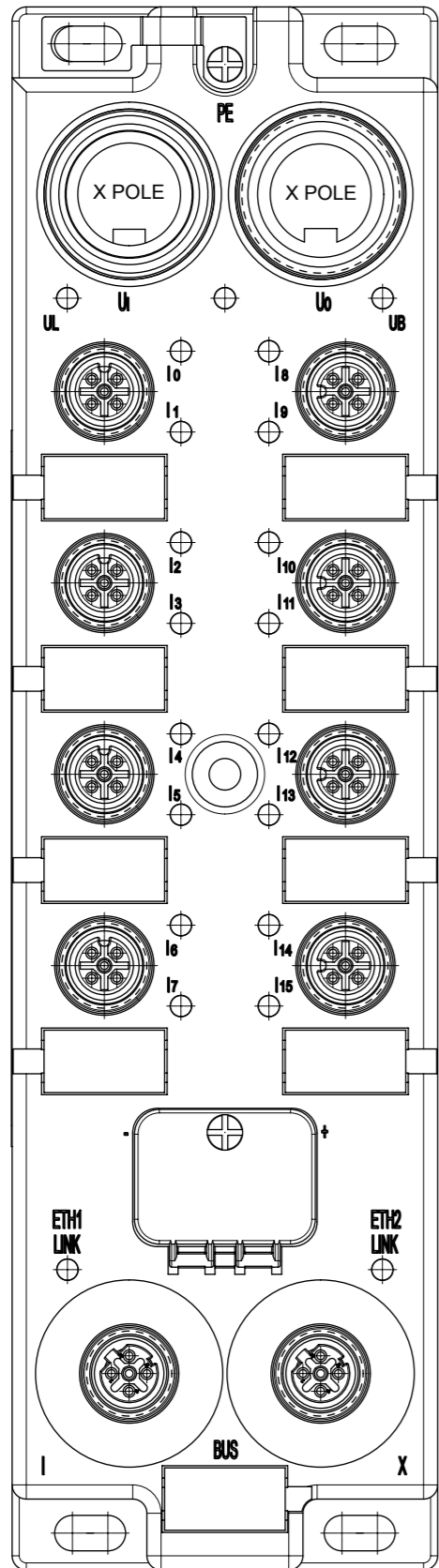
ITEM	DESCRIPTION	MATERIAL	FINISH
1	INSERT	TPU	BLACK
2	CONTACT	COPPER ALLOY	GOLD OVERNICKEL
3	SHELL	BRASS	NICKEL PLATET
4	GASKET	FPM	RED
5	CONTACT	COPPER ALLOY	GOLD OVER NICKEL
6	GASKET	FPM	RED
7	SHELL	BRASS	NICKEL PLATET
8	INSERT	TPU	BLACK
9	INSERT	TPE	YELLOW
10	CONTACT	COPPER ALLOY	GOLD OVERNICKEL
11	SHELL	BRASS	NICKEL PLATET
12	INSERT	TPE	YELLOW
13	CONTACT	COPPER ALLOY	GOLD OVER NICKEL
14	SHELL	BRASS	NICKEL PLATET
15	WINDOW	PC	TRANSPARENT
16	SCREW	V2A	-
17	LABEL	PC	WHITE
18	FIBER OPTIC	PA	TRANSPARENT
19	WASHER	BRASS	NICKEL PLATET
20	SCREW	V2A	-
21	SHIELD PLATE	STAINLESS STEEL	-
22	RESIN	EPOXY	TRANSPARENT
23	LABEL	PVC	WHITE
24	HOUSING	PBT	BLACK
25	LABEL	PVC	YELLOW



THIS DRAWING CONTAINS INFORMATION THAT IS PROPRIETARY TO MOLEX INCORPORATED AND SHOULD NOT BE USED WITHOUT WRITTEN PERMISSION

EC DESCRIPTION EC NO: 112857 DRWN: ULETTENMEIER 2017/01/26 CHK'D: APPR: RSILLER 2017/01/26	QUALITY SYMBOLS	GENERAL TOLERANCES (UNLESS SPECIFIED)	DIMENSION UNITS	SCALE	
	$\nabla = 0$ $\nabla = 0$ $\nabla = 0$ $\blacktriangledown = 0$ $\nabla = 0$ $\boxtimes = 0$ $\blacksquare = 0$ $\nabla = 0$	(UNLESS SPECIFIED) ANGULAR TOL \pm 4 PLACES \pm 3 PLACES \pm 2 PLACES \pm 1 PLACE ± 0.3 0 PLACES ± 0.5 DRAFT WHERE APPLICABLE MUST REMAIN WITHIN DIMENSIONS	MM	1:2	
	DRWN BY	DATE	ULETTENMEIER	2015/01/19	
	CHK'D BY	DATE			
APPR BY	DATE	RSILLER	2015/06/25	PRODUCT CUSTOMER DRAWING	
DRAWING SIZE	THIRD ANGLE PROJECTION	A3	SERIES: 112095 MATERIAL NUMBER: SEE TABLE 1,2,3,4,5,6 CUSTOMER: GENERAL MARKET		
DOCUMENT NUMBER		DOC TYPE		DOC PART	SHEET NUMBER
1120950007		PSD		000	2 OF 8

9 8 7 6 5 4 3 2 1



16 IN PRINTING

TABLE 2 16 IN PRINTING

POWER TYPE	INPUT/OUTPUT	EtherNet/IP		PROFINET		3D MODEL NO.	
		ENG. NO	MOLEX P/N	ENG. NO	MOLEX P/N		
7/8" 5 POLE	PNP	16I	TCDEI-8D0P-D1U-G	1120955060	TCDEP-8D0P-D1U-G	1120955048	1120950007 (PDM)
		16I	TCDEI-8D0P-DYU-G	1120955040	TCDEP-8D0P-DYU-G	1120955052	1120950007 (PDM)
7/8" 4 POLE	PNP	16I	TCDEI-8DOP-DYU-G01	1120955002			
		16I	TCDEI-8D0P-DYU-G02	1120955137			

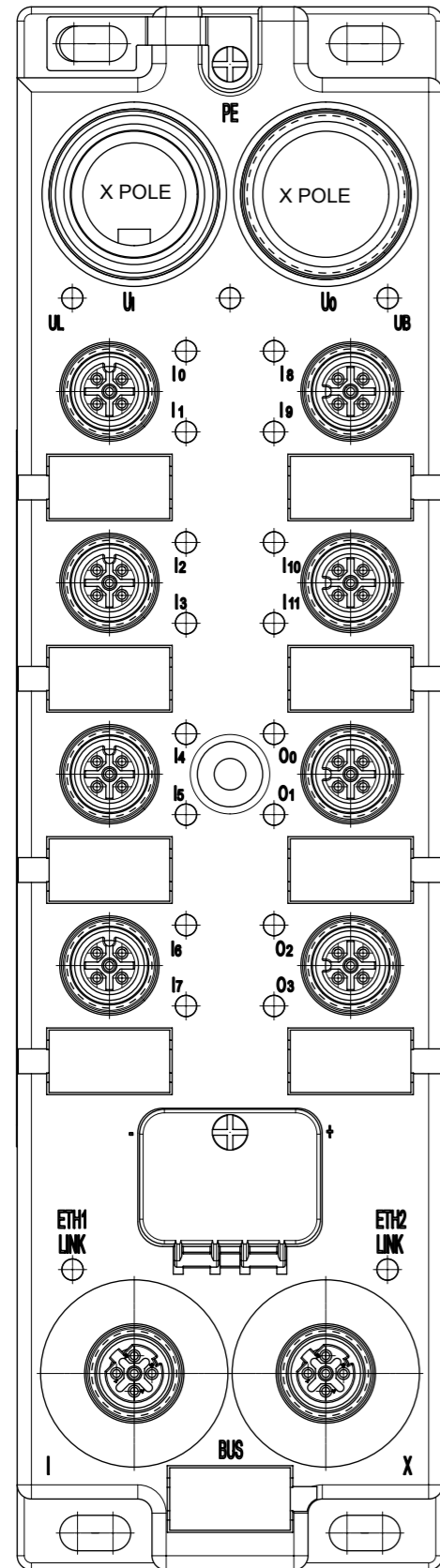
THIS DRAWING CONTAINS INFORMATION THAT IS PROPRIETARY TO MOLEX INCORPORATED AND SHOULD NOT BE USED WITHOUT WRITTEN PERMISSION

EC DESCRIPTION EC NO: 112857 DRWN: ULETTENMEIER 2017/01/26 CHK'D: APPR: RSILLER 2017/01/26	QUALITY SYMBOLS	GENERAL TOLERANCES (UNLESS SPECIFIED) ANGULAR TOL ± ° 4 PLACES ± 3 PLACES ± 2 PLACES ± 1 PLACE ± 0.3 0 PLACES ± 0.5 DRAFT WHERE APPLICABLE MUST REMAIN WITHIN DIMENSIONS	DIMENSION UNITS	SCALE		
	▽ = 0 ▽ = 0 ▽ = 0 ▼ = 0 ▽ = 0 ☒ = 0 ■ = 0 ▽ = 0		MM	1:1		
	DRWN BY ULETTENMEIER CHK'D BY DATE 2015/01/19		DRWN BY ULETTENMEIER CHK'D BY DATE 2015/01/19	DATE 2015/01/19		DBO ETH 60 MM 7/8" 4P/5P AC MA FE U12 5P U12 4P 2PT DC FE
	APPR BY RSILLER DATE 2015/06/25		APPR BY RSILLER DATE 2015/06/25	DATE 2015/06/25		
A2	REV	A3	THIRD ANGLE PROJECTION	SERIES: 112095 MATERIAL NUMBER: SEE TABLE 1,2,3,4,5,6 CUSTOMER: GENERAL MARKET		
		DOCUMENT NUMBER: 1120950007		DOC TYPE: PSD	DOC PART: 000	SHEET NUMBER: 4 OF 8

9 8 7 6 5 4 3 2 1

TABLE 4 12I/4O PRINTING

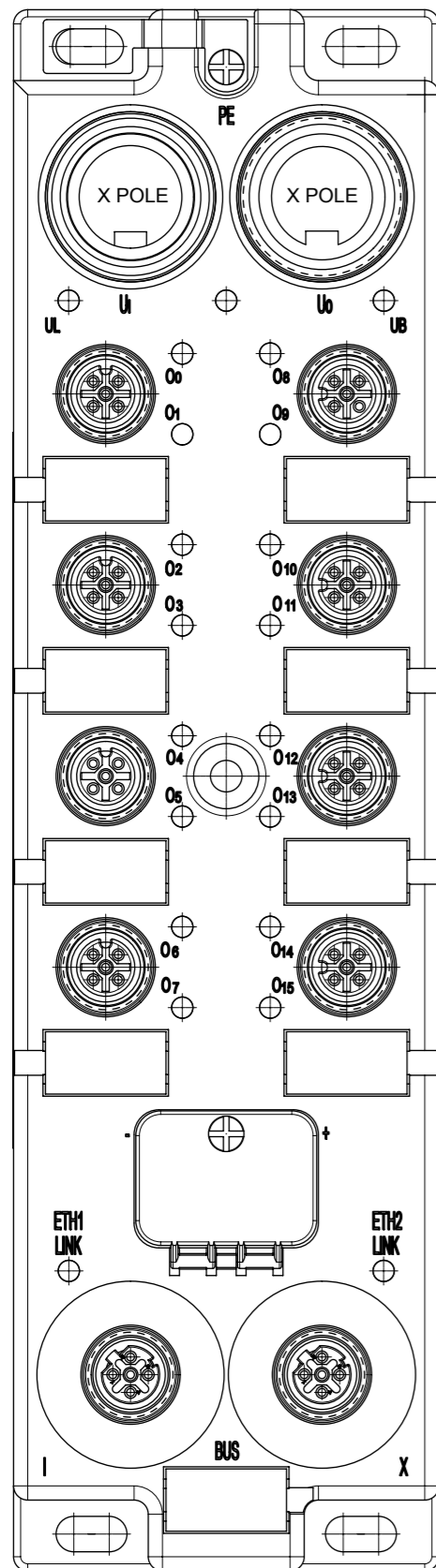
POWER TYPE	INPUT/OUTPUT	EtherNet/IP		PROFINET		3D MODEL NO.	
		ENG. NO	MOLEX P/N	ENG. NO	MOLEX P/N		
7/8" 5 POLE	PNP	12I/4O	TCDEI-8B4P-D1U-G	1120955063	TCDEP-8B4P-D1U-G	1120955051	1120950007 (PDM)
7/8" 4 POLE		12I/4O	TCDEI-8B4P-DYU-G	1120955043	TCDEP-8B4P-DYU-G	1120955054	1120950007 (PDM)
		12I/4O	TCDEI-8B4P-DYU-G01	1120955073			



12I/4O PRINTING

THIS DRAWING CONTAINS INFORMATION THAT IS PROPRIETARY TO MOLEX INCORPORATED AND SHOULD NOT BE USED WITHOUT WRITTEN PERMISSION

EC DESCRIPTION EC NO: 112857 DRWN: ULETTENMEIER 2017/01/26 CHK'D: APPR: RSILLER 2017/01/26	QUALITY SYMBOLS	GENERAL TOLERANCES (UNLESS SPECIFIED)	DIMENSION UNITS	SCALE	
	▽ = 0 ▽ = 0 ▽ = 0 ▼ = 0 ▽ = 0 ☒ = 0 ■ = 0 ▽ = 0	ANGULAR TOL ± ° 4 PLACES ± 3 PLACES ± 2 PLACES ± 1 PLACE ± 0.3 0 PLACES ± 0.5	MM	1:1	
	DRWN BY	DATE	ULETTENMEIER	2015/01/19	
	CHK'D BY	DATE			
	APPR BY	DATE	RSILLER	2015/06/25	PRODUCT CUSTOMER DRAWING
	DRAWING SIZE	THIRD ANGLE PROJECTION	A3		SERIES: 112095
					MATERIAL NUMBER: SEE TABLE 1,2,3,4,5,6
					CUSTOMER: GENERAL MARKET
					DOCUMENT NUMBER: 1120950007
					DOC TYPE: PSD
					DOC PART: 000
					SHEET NUMBER: 6 OF 8



160 PRINTING

TABLE 5 160 PRINTING

POWER TYPE	INPUT/OUTPUT	EtherNet/IP		PROFINET		3D MODEL NO.	
		ENG. NO	MOLEX P/N	ENG. NO	MOLEX P/N		
7/8" 5 POLE	PNP	160	TCDEI-80DP-D1U-G	1120955062	TCDEP-80DP-D1U-G	1120955049	1120950007 (PDM)
7/8" 4 POLE		160	TCDEI-80DP-DYU-G	1120955042	TCDEP-80DP-DYU-G	1120955055	1120950007 (PDM)
		160	TCDEI-80D8-DYU-G01	1120955074			

THIS DRAWING CONTAINS INFORMATION THAT IS PROPRIETARY TO MOLEX INCORPORATED AND SHOULD NOT BE USED WITHOUT WRITTEN PERMISSION

EC DESCRIPTION EC NO: 112857 DRWN: ULETTENMEIER 2017/01/26 CHK'D: APPR: RSILLER 2017/01/26	QUALITY SYMBOLS	GENERAL TOLERANCES (UNLESS SPECIFIED)	DIMENSION UNITS	SCALE				
	▽ = 0 ▽ = 0 ▽ = 0 ▼ = 0 ▽ = 0 ☒ = 0 ■ = 0 ▽ = 0	ANGULAR TOL ± ° 4 PLACES ± 3 PLACES ± 2 PLACES ± 1 PLACE ± 0.3 0 PLACES ± 0.5	MM	1:1				
	DRWN BY	DATE	ULETTENMEIER	2015/01/19				
	CHK'D BY	DATE						
			APPR BY	DATE	PRODUCT CUSTOMER DRAWING			
			RSILLER	2015/06/25	SERIES	MATERIAL NUMBER	CUSTOMER	
			DRAWING SIZE	THIRD ANGLE PROJECTION	112095	SEE TABLE 1,2,3,4,5,6	GENERAL MARKET	
A2		DRAFT WHERE APPLICABLE MUST REMAIN WITHIN DIMENSIONS	A3		DOCUMENT NUMBER	DOC TYPE	DOC PART	SHEET NUMBER
					1120950007	PSD	000	7 OF 8

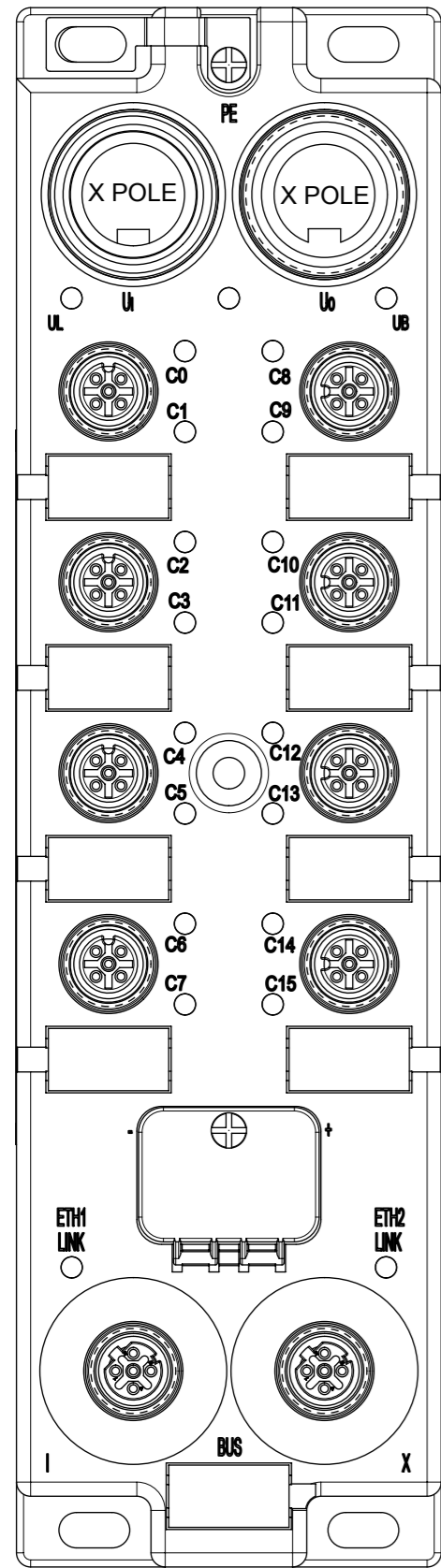


TABLE 6 16 USER CONFIG PRINTING

		PROFINET		3D MODEL NO.
POWER TYPE	INPUT/OUTPUT	ENG. NO	MOLEX P/N	
7/8" 5 POLE	USER CONFIG	TCDEP-8YYX-D1U-01	1120955115	1120950007 (PDM)
7/8" 4 POLE		TCDEP-8YYX-DYU-01	1120955114	

QUALITY SYMBOLS 	THIS DRAWING CONTAINS INFORMATION THAT IS PROPRIETARY TO MOLEX ELECTRONIC TECHNOLOGIES, LLC AND SHOULD NOT BE USED WITHOUT WRITTEN PERMISSION										
	EC NO: 112857 DRWN: ULETTENMEIER CHK'D: APPR: RSILLER	2017/01/26 2017/01/26	GENERAL TOLERANCES (UNLESS SPECIFIED)		DIMENSION UNITS	SCALE					
			ANGULAR TOL ± °		MM	1:1					
			4 PLACES ±	DRWN BY		DATE		DBO ETH 60 MM 7/8" 4P/5P AC MA FE U12 5P U12 4P 2PT DC FE			
			3 PLACES ±	ULETTENMEIER		2015/01/19					
			2 PLACES ±	CHK'D BY		DATE		PRODUCT CUSTOMER DRAWING			
	1 PLACE ± 0.3	RSILLER		2015/06/25							
	0 PLACES ± 0.5	DRAFT WHERE APPLICABLE MUST REMAIN WITHIN DIMENSIONS		DRAWING SIZE	THIRD ANGLE PROJECTION	SERIES	MATERIAL NUMBER	CUSTOMER			
	A2	REV	A3				112095		GENERAL MARKET		
							DOCUMENT NUMBER	DOC TYPE	DOC PART	SHEET NUMBER	
						1120950007	PSD	000	8 OF 8		