

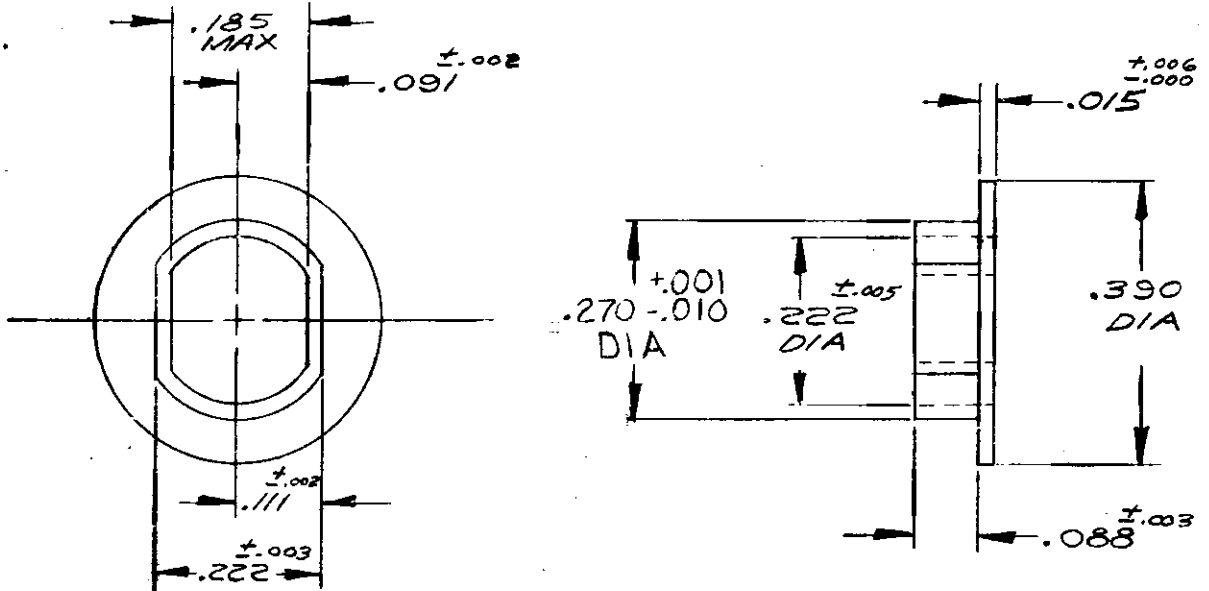
DRAWING MADE IN AMERICAN PROJECTION

MOD 13 LOC AU PRINT DIST 16 E

© 1973 BY AMP INCORPORATED. ALL RIGHTS RESERVED. AMP AND AMP LOGO ARE COVERED BY PATENTS AND PATENT RIGHTS. PATENTS PENDING. NO PARTS TO BE REPRODUCED OR DRAWINGS TO BE COPIED WITHOUT WRITTEN PERMISSION OF AMP INCORPORATED.

REVISIONS

LTR	DESCRIPTION	DATE	APPROVED
C	REDRAWN W/O CHANGE	7-9-73	CEP
D	ADD WEIGHT	7-30-80	Gwm
E	REVISED C79-366	10-27-80	MS JTW
F	.270 ^{+0.001} / _{-0.010} WAS .2620±.0025 AJ-1434	9/16/85	m/h Jut



UNLESS OTHERWISE SPECIFIED DIMENSIONS ARE IN INCHES
TOLERANCES ON:
DECIMALS ± .008
ANGLES ± 5°

MATERIAL
NYLON
(MIL-M-20693A) TYPICAL
COLOR: NATURAL

CONTRACT NO.	4
DR.	Charles Jink 7/9/73
CHK	D. Smith 7/11/73
APPD	R. Williams 10-27-80
REL	J. Foultz 7-11-73
DSGN APPD	J
OTHER APPD	



AMP INCORPORATED
HARRISBURG, PENNSYLVANIA

NAME
CONNECTOR, COAXIAL, R.F.
MINIATURE THREADED SERIES
BUSHING-MALE

SIZE	CODE IDENT NO.	NUMBER
A	00779	329486
SCALE 4:1	WEIGHT .002 oz	SHEET 1 OF 1