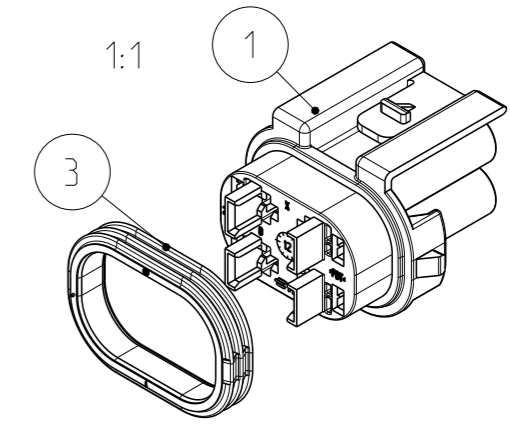
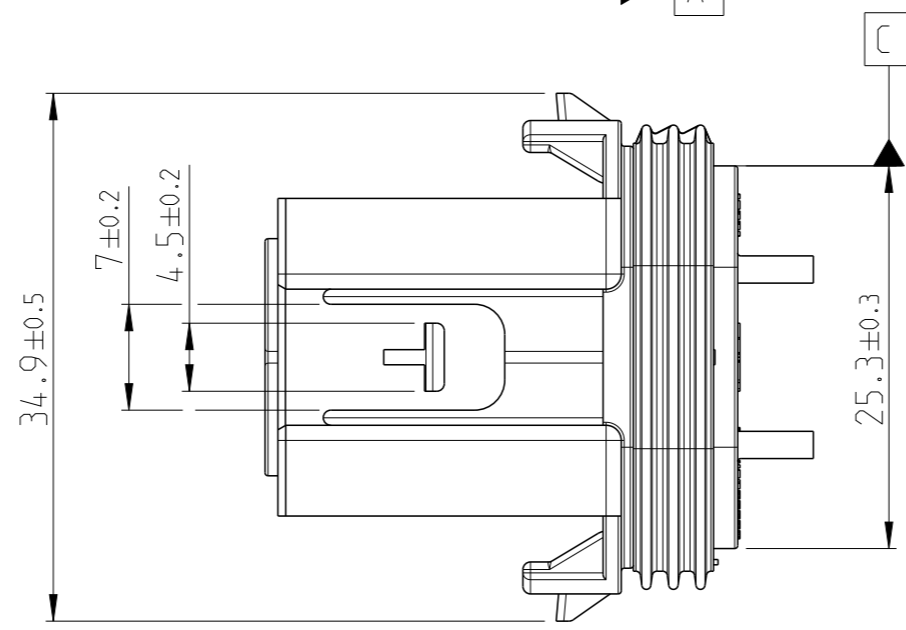
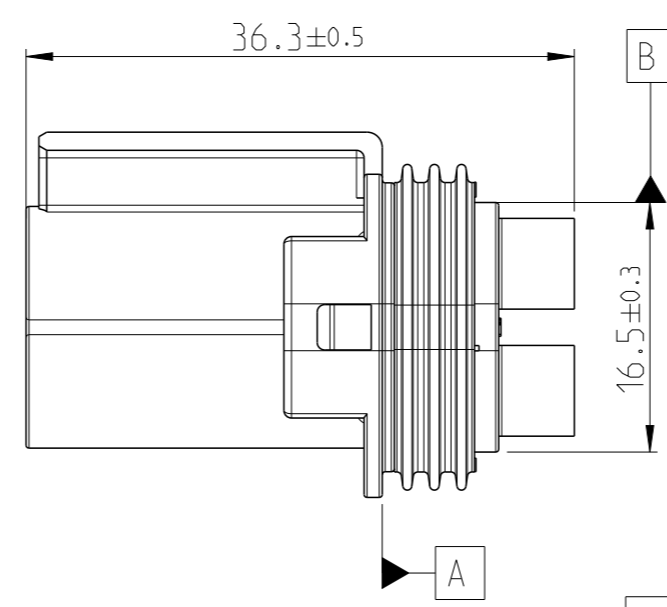
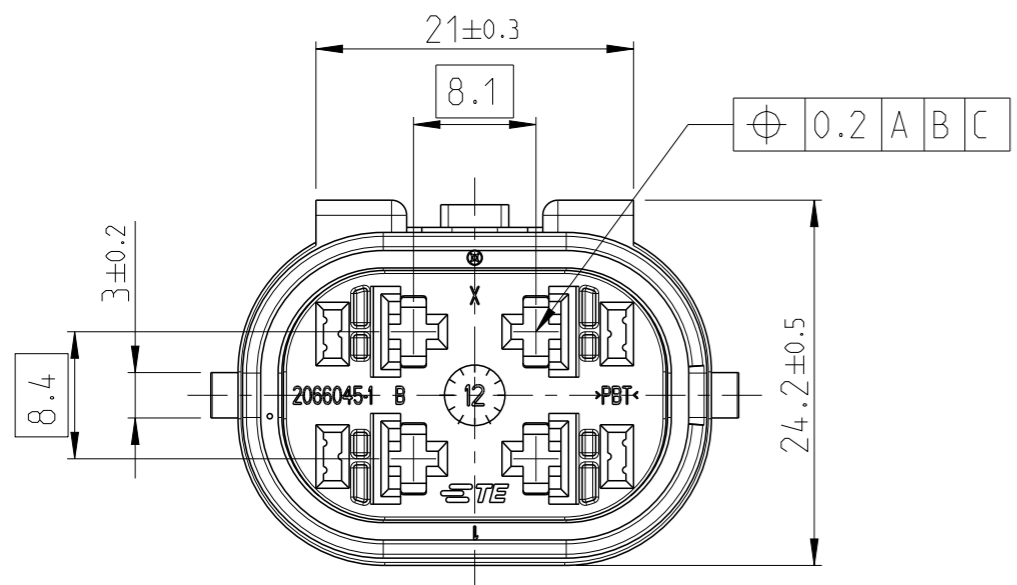


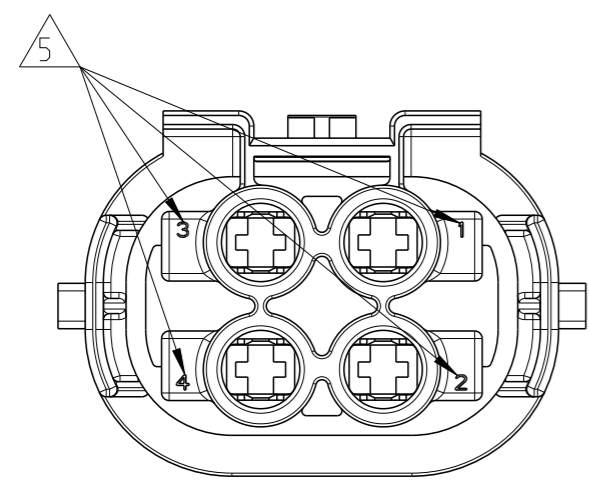
LOC IT DIST -

REVISIONS					
P	LTR	DESCRIPTION	DATE	DWN	APVD
	A	NEW DRAWING RELEASE	10JUN2014	GG	RK
	A1	ECR-16-015264	02NOV2016	CS	VVB
	A2	ECR-17-001057	24JAN2017	CS	DH



- NOTES :-
1. NO SCORES, DUST ON SEAL RING ARE PERMISSIBLE
 2. REFER CONTACT PN: 968882, 968855, 968857.
 3. REFER WIRE SEAL PN: 828904, 828905.
 4. MATING COVER PN : 2066502-1, -2, -3.
 5. CAVITY MARKING : 1, 2, 3 & 4.
 6. REFER APPLICATION SPEC FOR STANDARD CLIP OFFERINGS.

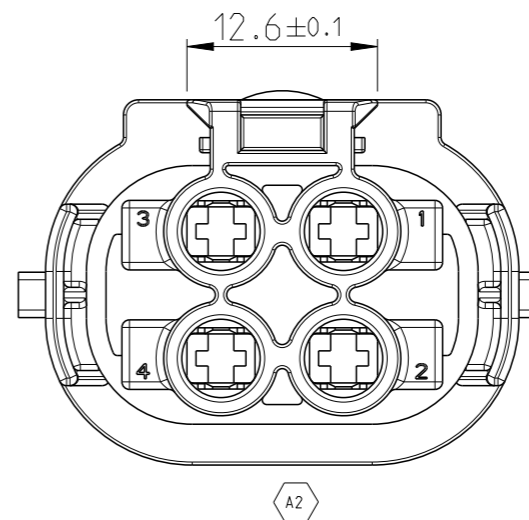
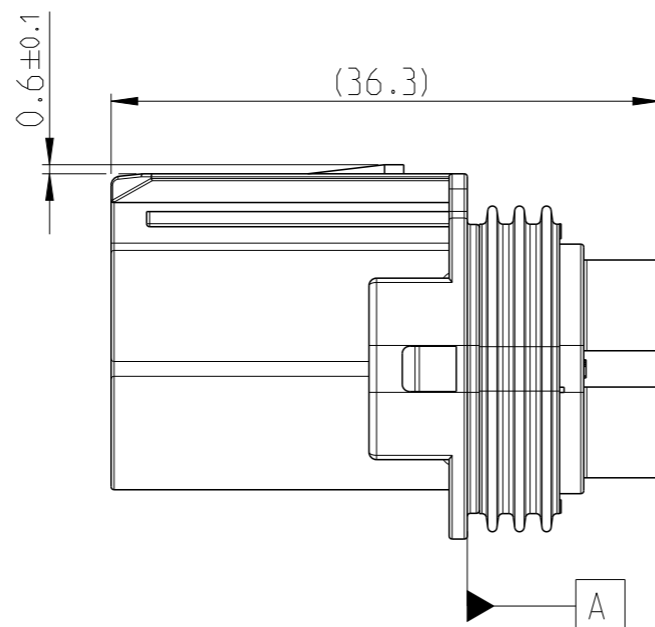
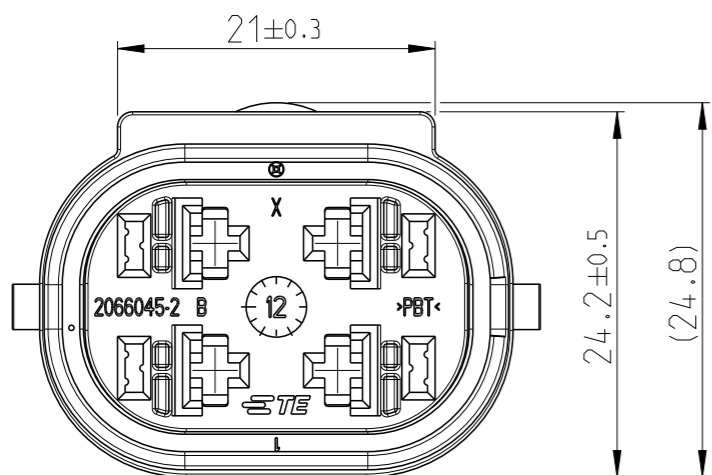
2066046-1 AS SHOWN



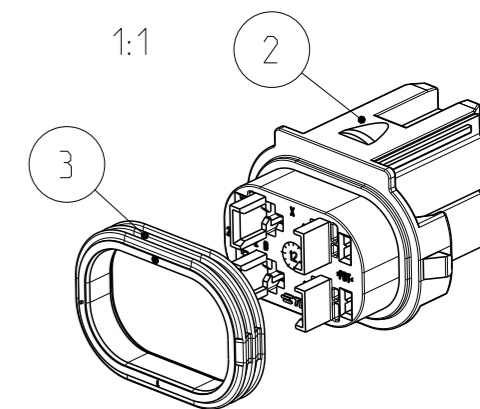
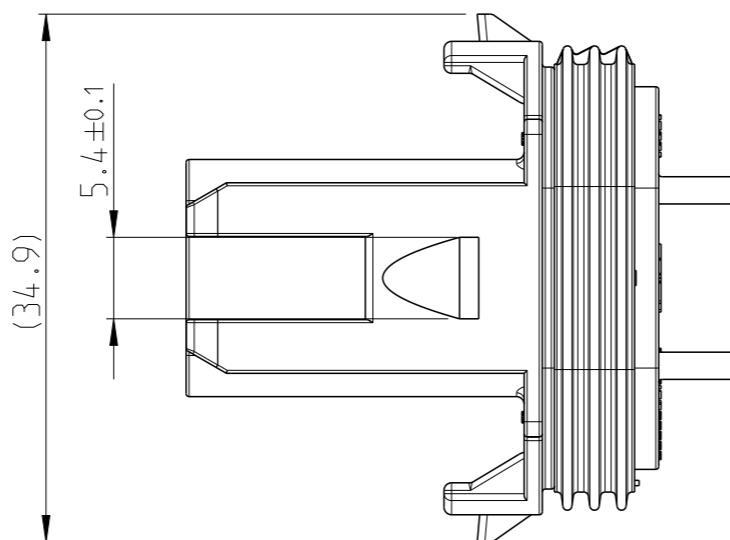
QTY	REV	PART NO.	DESCRIPTION	MATERIAL	ITEM
-2	-1	-----ASSEMBLY PART NUMBERS			
1	1	D 1544767-1	2-WAY 8mm NGI INTERFACIAL SEAL	SILICON	3
1	-	B 2066045-2	2POS MINIFUSE BOX HOUSING	PBT	2
-	1	B 2066045-1	2POS MINIFUSE BOX HOUSING	PBT	1

THIS DRAWING IS A CONTROLLED DOCUMENT.		DWN RAMESH. S 14AUG2012	TE Connectivity											
DIMENSIONS: mm		CHK VINAY. S 14AUG2012												
TOLERANCES UNLESS OTHERWISE SPECIFIED: DIN 16901-140		APVD MADHU. J 14AUG2012												
<table border="1"> <tr> <td>0 PLC</td> <td>±</td> </tr> <tr> <td>1 PLC</td> <td>±</td> </tr> <tr> <td>2 PLC</td> <td>±</td> </tr> <tr> <td>3 PLC</td> <td>±</td> </tr> <tr> <td>4 PLC</td> <td>±</td> </tr> <tr> <td>ANGLES</td> <td>±1°</td> </tr> </table>		0 PLC				±	1 PLC	±	2 PLC	±	3 PLC	±	4 PLC	±
0 PLC	±													
1 PLC	±													
2 PLC	±													
3 PLC	±													
4 PLC	±													
ANGLES	±1°													
MATERIAL SEE TABLE		PRODUCT SPEC 108-72108	SIZE A3	CAGE CODE 00779	DRAWING NO C-2066046									
		APPLICATION SPEC 114-72110	RESTRICTED TO -											
		WEIGHT -	SCALE 2:1 SHEET 1 OF 2 REV A2											
		CUSTOMER DRAWING												

P	LTR	DESCRIPTION	DATE	DWN	APVD
-		SEE SHEET 1	-	-	-



2066046-2 AS SHOWN



THIS DRAWING IS A CONTROLLED DOCUMENT.

DWN	RAMESH. S	14AUG2012
CHK	VINAY. S	14AUG2012
APVD	MADHU. J	14AUG2012
PRODUCT SPEC	108-72108	
APPLICATION SPEC	114-72110	
WEIGHT	-	



NAME
2 POS SEALED MINIFUSE BOX HOUSING ASSLY

DIMENSIONS:	TOLERANCES UNLESS OTHERWISE SPECIFIED: DIN 16901-140
mm	
	0 PLC ±
	1 PLC ±
	2 PLC ±
	3 PLC ±
	4 PLC ±
	ANGLES ±1°
MATERIAL SEE TABLE	FINISH -

SIZE	CAGE CODE	DRAWING NO	RESTRICTED TO
A3	00779	©=2066046	-

CUSTOMER DRAWING	SCALE 2:1	SHEET 2 OF 2	REV A2
------------------	-----------	--------------	--------