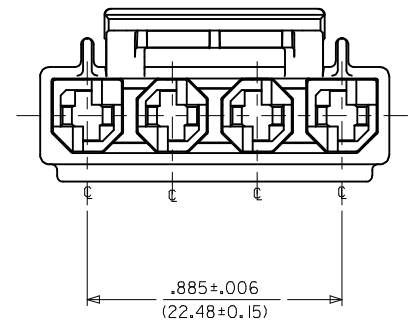


44441-1004
(NO SCALE)

CIRCUIT 1

NOTES:

1. MATERIAL: NYLON, UL94V-0, COLOR: BLACK
2. THIS CONNECTOR HOUSING FOR USE WITH 43375-**** TERMINALS.
3. THIS CONNECTOR HOUSING WILL MATE TO A-43160-****4, 43180-****4, AND 43680-****4 HOUSINGS.
4. PRODUCT SPECIFICATION: PSX-44441-9999.
5. PACKAGING: PK-44441-001.
6. PART CONFORMS TO CLASS 'B' REQUIREMENTS OF COSMETIC SPECIFICATION PS-45499-002 BUT, MEETS CLASS 'C' REQUIREMENTS FOR BUBBLES, SINK AND DISCOLORATION.



ADD COSMETIC NOTE 6 EC NO: UCP2012-4200 DRW: AELHAG 2012/09/06 CHKD: JBEL 2012/09/06 APPR: FSMITH 2012/09/11 REV: A4	QUALITY SYMBOLS ▼=0 ▽=0	GENERAL TOLERANCES (UNLESS SPECIFIED)		DIMENSION STYLE IN/MM	SCALE 3:1	DESIGN UNITS INCH	THIRD ANGLE PROJECTION	
		mm	INCH	DRAWN BY BW	DATE 09/20/04	TITLE 4-CIR. RECEPT. HSG. .125(3.18) X .020(0.51) SABRE - TPA; V-0 MAT'L		
		4 PLACES ± ---	± ---	CHECKED BY BW	DATE 09/20/04			
		3 PLACES ± ---	± .010	APPROVED BY BW	DATE 09/20/04	MOLEX INCORPORATED		
2 PLACES ± 0.25	± .014	ANGULAR ± 1/2°		MATERIAL NO. 44441-2004	DOCUMENT NO. SD-44441-2004	SHEET NO. 1 OF 1		
1 PLACE ± 0.35	± ---	DRAFT WHERE APPLICABLE MUST REMAIN WITHIN DIMENSIONS		THIS DRAWING CONTAINS INFORMATION THAT IS PROPRIETARY TO MOLEX INCORPORATED AND SHOULD NOT BE USED WITHOUT WRITTEN PERMISSION				