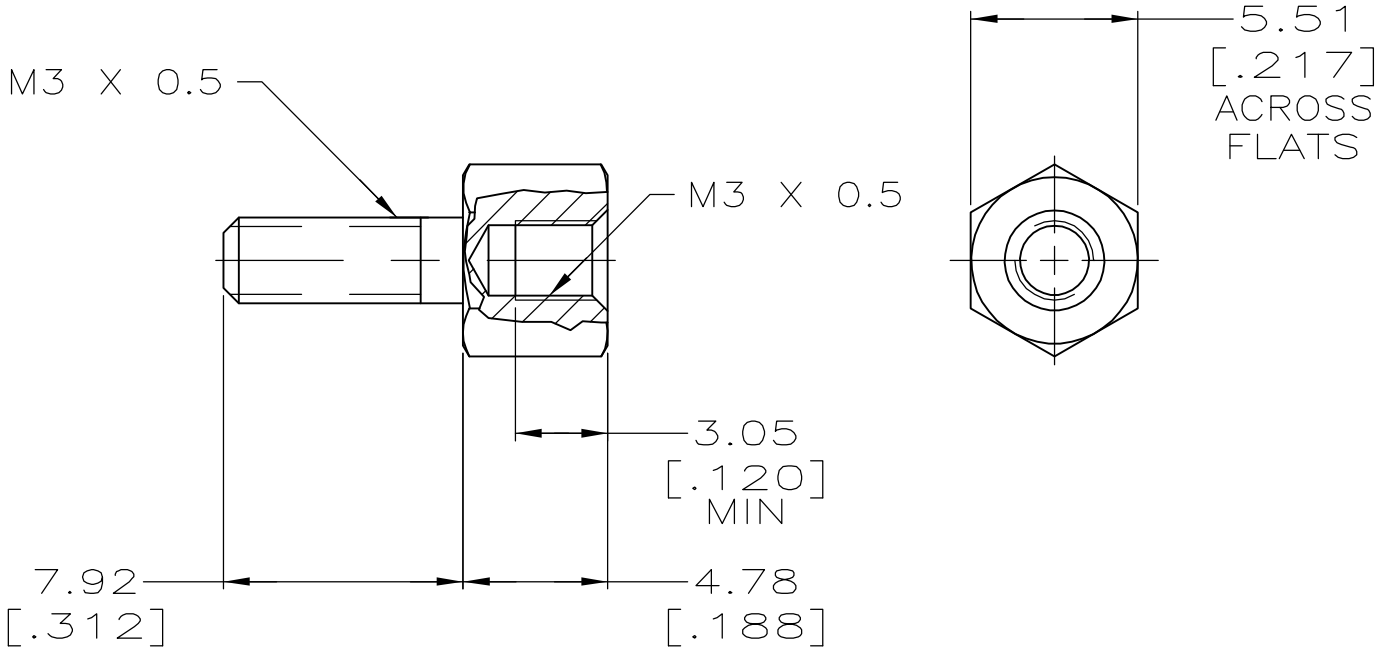


| | | | | | | | |
|-----|------|-----------|-----|------------------------------|---------|-----|------|
| LOC | DIST | REVISIONS | | | | | |
| GP | 00 | P | LTR | DESCRIPTION | DATE | DWN | APVD |
| | | 0 | | RELEASED PER EC OS13-0207-05 | 23JUN05 | RR | JG |



- ① ZINC PLATED .000200-.000400 THICK, YELLOW CHROMATE COATING.
- ② ZINC PLATED .000200-.000400 THICK, CLEAR CHROMATE COATING.

| | |
|--------|-------------|
| ② | 5207882-3 |
| ① | 5207882-2 |
| FINISH | PART NUMBER |

THIS DRAWING IS UNPUBLISHED.

ALL RIGHTS RESERVED. BY TYCO ELECTRONICS CORPORATION. © COPYRIGHT

| | | | | | | |
|--|---------------------|---------|---|--------------|------------|---------------|
| DIMENSIONS: mm [INCHES] | DWN R.RICHARDSON | 23JUN05 | MATERIAL | CARBON STEEL | FINISH | SEE TABLE |
| | CHK C.ROHDE | 23JUN05 | Tyco Electronics Corporation Harrisburg, Pa 17105-3608 | | | |
| TOLERANCES UNLESS OTHERWISE SPECIFIED: | APVD M.WALMSLEY | 23JUN05 | | | | |
| 0 PLC ± - | PRODUCT SPEC | | NAME | | | |
| 1 PLC ± - | - | | SCREWLOCK, FEMALE, HD | | | |
| 2 PLC ± 0.13 [.005] | - | | SERIES, METRIC, AMPLIMITE | | | |
| 3 PLC ± - | APPLICATION SPEC | | SIZE | CAGE CODE | DRAWING NO | RESTRICTED TO |
| 4 PLC ± - | - | | A4 | 00779 | ②-5207882 | - |
| ANGLES ± - | WEIGHT | | CUSTOMER DRAWING | | | |
| | - | | SCALE | 4:1 | SHEET | 1 OF 1 |
| | | | REV 0 | | | |