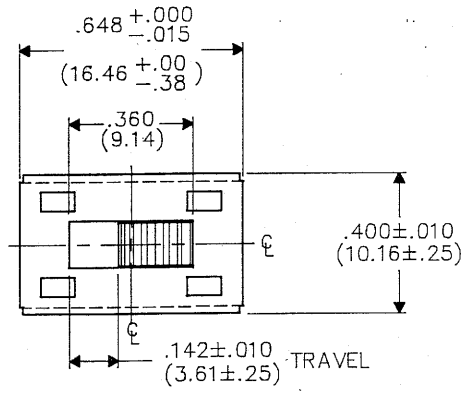
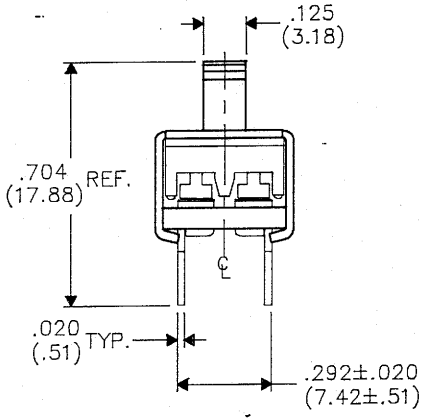
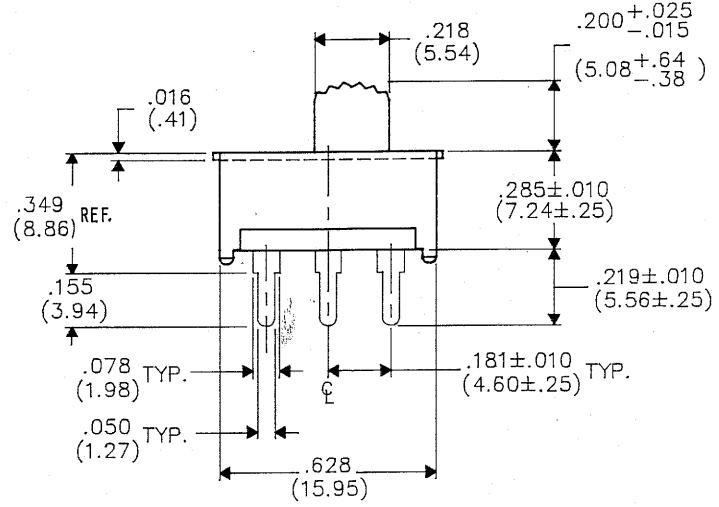
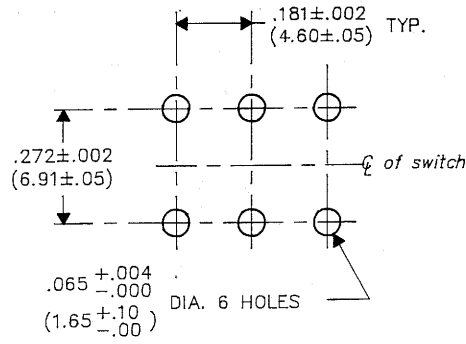


DIMENSIONS IN INCHES (MILLIMETERS)
DO NOT SCALE DRAWING...

Drawing No.
GF-126-0098



P.C. LAYOUT



B-FORM-0

REVISIONS	
0	RELEASED SPR 1-20-93
1	CHANGED .349 ±.016 TO .349 REF. DGW 7-15-93 JJK

CW INDUSTRIES
Southampton, Pa. 18966

TOLERANCES UNLESS OTHERWISE SPECIFIED
2 Place decimal ±.010 METRIC
3 Place decimal ±.005 1 Place dec. ±.25 MM
Angles .1° 2 Place dec. ±.13 MM

Made for CW IND.
Drawn by SPR 1-20-93
Checked by G. Guld 1-22-93
Approval JJK 1-22-93

Title
**SWDGET
ASSEMBLY
D.P.-D.T.
RAD. KNURL**

Division
SWITCH

Drawing No.
GF-126-0098