

Extension module - PSR-SCP- 24DC/TS/SDI8/SDIO4 - 2986038

Please be informed that the data shown in this PDF Document is generated from our Online Catalog. Please find the complete data in the user's documentation. Our General Terms of Use for Downloads are valid (<http://download.phoenixcontact.com>)



Module for I/O extension of the PSR-TRISAFE master module with 8 safe inputs and 4 safe, freely parameterizable channels (safe inputs or outputs), easy connection via PSR-TBUS DIN rail connector, width: 22.5 mm

Why buy this product

- Flexible extension with safe inputs and outputs
- Narrow 22.5 mm housing
- 4 safe digital outputs or 4 additional digital inputs (that can be configured using SAFECONF)
- Including PSR-TBUS plug-in connector (DIN rail connector) for adapting to the PSR-TRISAFE-M master module
- Easy graphical configuration instead of complex programming
- Multifunctional use for a wide range of safety functions
- Quick startup thanks to user-friendly simulation and test options
- Up to Cat. 4/PL e according to ISO 13849-1, SILCL 3 according to IEC 62061, SIL 3 according to IEC 61508
- 8 safe digital inputs
- 2 alarm outputs or 2 clock outputs (that can be configured using SAFECONF)

Key commercial data

Packing unit	0
Minimum order quantity	1
Catalog page	Page 31 (IF-2011)
GTIN	 4 046356 451871
Custom tariff number	85389091
Country of origin	GERMANY

Technical data

Input data

Nominal input voltage UN	24 V DC (A1 / A2)
Input voltage range in reference to UN	0.85 ... 1.1
Typical input current at UN	100 mA
Maximum response time	< 30 ms
Bypassing voltage dips	20 ms
Recovery time	< 10 s
Protective circuit	Surge protection Suppressor diode

Extension module - PSR-SCP- 24DC/TS/SDI8/SDIO4 - 2986038

Technical data

Input data

Status display	2 LEDs (green, red)
Number of safe inputs	12 (of which 4 can be configured as input or output)
Nominal voltage UN	24 V DC
Typical current consumption	4 mA
Signal level "0" signal	< 5 V
Signal level "1" signal	> 11 V
Permissible cable length	2000 m
Error detection time at 1-channel structure	< 1 s
Status display	12 LEDs (green)

Output data

Output data	8 safe digital inputs 4 safe inputs 4 safe outputs 2 clock outputs 2 alarm outputs 4 LEDs (green)
Number of safe semiconductor outputs	4 (If the four parameterizable inputs/outputs are used as outputs)
Nominal voltage UN	24 V DC
Limiting continuous current	4x 0.5 A (see derating curve)
Max. capacitive load	1 µF (When using electromechanical components (e.g. safeguarding), the capacitive load can be disregarded.)
Max. inductive load	(A suitable and effective protective circuit is to be provided for inductive loads. A recommended measure is the use of free-wheeling diodes.)
Test pulses	< 1 ms
Cycle/alarm outputs	<p></p>
Number of outputs	2
Nominal voltage UN	24 V DC
Limiting continuous current	50 mA
Test pulses	~ 1 ms

General data

Width	22.5 mm
Height	99 mm
Depth	114.5 mm
Ambient temperature (operation)	-20 °C ... 55 °C
Ambient temperature (storage/transport)	-20 °C ... 70 °C
Mounting position	Horizontal
Category according to EN 13849-1	4
Name	Air and creepage distances between the power circuits
Standards/regulations	DIN EN 50178
Rated surge voltage / insulation	0.8 kV / Basic isolation
Rated insulation voltage	50 V
Pollution degree	2
Surge voltage category	III
Housing material	Polyamide PA non-reinforced
Interfaces	DIN rail TBUS for connection to the master module, supplied as standard

Extension module - PSR-SCP- 24DC/TS/SDI8/SDIO4 - 2986038

Technical data

Connection data

Conductor cross section solid min.	0.2 mm ²
Conductor cross section solid max.	2.5 mm ²
Conductor cross section stranded min.	0.2 mm ²
Conductor cross section stranded max.	2.5 mm ²
Conductor cross section AWG/kcmil min.	24
Conductor cross section AWG/kcmil max	12
Stripping length	7 mm
Screw thread	M3
Connection method	Screw connection

Classifications

eclass

eCl@ss 4.0	27371102
eCl@ss 4.1	27371102
eCl@ss 5.0	27371901
eCl@ss 5.1	27371901
eCl@ss 6.0	27371819

etim

ETIM 2.0	EC001449
ETIM 3.0	EC001449
ETIM 4.0	EC001449

unspsc

UNSPSC 6.01	30211901
UNSPSC 7.0901	39121501
UNSPSC 11	39121501
UNSPSC 12.01	39121501
UNSPSC 13.2	39121501

Approvals

Certificates

Certification

UL Listed / GOST / cUL Listed / cUL Listed

Certification EX

Certification submitted

Extension module - PSR-SCP- 24DC/TS/SDI8/SDIO4 - 2986038

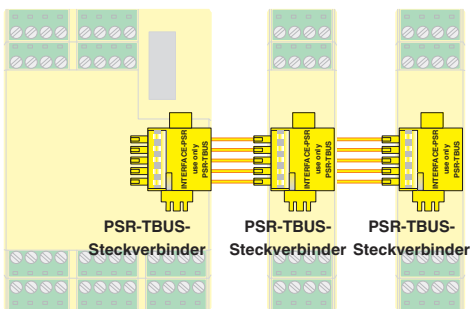
Approvals

Approval details

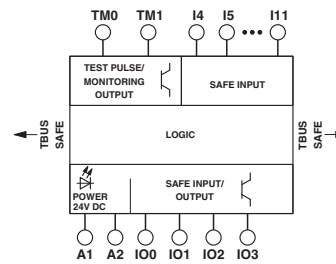
- UL Listed
- GOST
- cUL Listed
- cUL Listed

Drawings

Connection diagram



Circuit diagram



The TBUS connectors carry out the cross-wiring between the modules.