

Communication module - AXL F RS UNI XC 1H - 2702006

Please be informed that the data shown in this PDF Document is generated from our Online Catalog. Please find the complete data in the user's documentation. Our General Terms of Use for Downloads are valid (<http://phoenixcontact.com/download>)



Axioline F communication module, extreme conditions version, for serial data transmission, 1 interface can be parameterized as RS-485/RS-422 or RS-232 (including bus base module and plugs)

The figure shows the standard item

Product Description


The module is designed for use within an Axioline F station.
 The module is used to operate standard I/O devices with serial interfaces on a bus system.
 Thanks to special engineering measures and tests, the module can be used under extreme ambient conditions.

Why buy this product

- A serial input and output channel in RS-232, RS-422, and RS-485 format
- Various protocols supported
- Transmission speed can be set up to 250,000 baud
- Parameterization via the PDI channel
- Device rating plate stored
- Can be used under extreme ambient conditions
- Extended temperature range of -40°C ... +70°C (see "Tested successfully: use under extreme ambient conditions" in the data sheet)
- Partially coated PCBs



Key Commercial Data

Packing unit	1 STK
GTIN	 4 046356 909587
GTIN	4046356909587

Technical data

Note

Utilization restriction	EMC: class A product, see manufacturer's declaration in the download area
-------------------------	---

Dimensions

Width	35 mm
-------	-------

Communication module - AXL F RS UNI XC 1H - 2702006

Technical data

Dimensions

Height	126.1 mm
Depth	54 mm
Note on dimensions	The depth is valid when a TH 35-7,5 DIN rail is used (according to EN 60715).

Ambient conditions

Ambient temperature (operation)	-25 °C ... 60 °C (Standard)
	-40 °C ... 70 °C (Extended, see section "Tested successfully: use under extreme ambient conditions" in the data sheet.)
Ambient temperature (storage/transport)	-40 °C ... 85 °C
Permissible humidity (operation)	5 % ... 95 % (non-condensing)
Permissible humidity (storage/transport)	5 % ... 95 % (non-condensing)
Air pressure (operation)	70 kPa ... 106 kPa (up to 3000 m above sea level)
Air pressure (storage/transport)	70 kPa ... 106 kPa (up to 3000 m above sea level)
Degree of protection	IP20

Connection data

Designation	Axioline F connector
Connection method	Push-in connection
Conductor cross section solid min.	0.2 mm ²
Conductor cross section solid max.	1.5 mm ²
Conductor cross section flexible min.	0.2 mm ²
Conductor cross section flexible max.	1.5 mm ²
Conductor cross section AWG min.	24
Conductor cross section AWG max.	16
Stripping length	8 mm

General

Mounting type	DIN rail
Net weight	187.9 g
Note on weight specifications	with connectors and bus base module
Diagnostics messages	I/O supply failure Yes

Interfaces

Designation	Axioline F local bus
No. of channels	2
Connection method	Bus base module
Transmission speed	100 Mbps
Interface	RS-232, RS-485, RS-422
Connection method	Push-in connection
Transmission physics	Copper
Protocols supported	Transparent, end-to-end, XON/XOFF, Modbus/RTU (master support)
Termination resistor	active, integrated
Data bits	5 ... 8

Communication module - AXL F RS UNI XC 1H - 2702006

Technical data

Interfaces

Stop bits	1 or 2
Input buffer	4 kByte
Output buffer	1 kByte

Axioline potentials

Designation	Axioline F local bus supply (U _{Bus})
Supply voltage	5 V DC (via bus base module)
Current consumption	typ. 200 mA
	max. 240 mA

Serial input/output channel

Parity	Even, odd or no parity
Transmission type	Transparent mode, end-to-end mode, XON/XOFF, Modbus/RTU

Electrical isolation

Test section	5 V supply (logic)/5 V supply (I/O) 500 V AC 50 Hz 1 min.
	5 V supply (logic)/functional earth ground 500 V AC 50 Hz 1 min.
	5 V supply (I/O)/functional earth ground 500 V AC 50 Hz 1 min.

Standards and Regulations

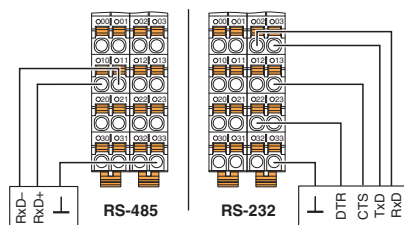
Mechanical tests	Vibration resistance in acc. with EN 60068-2-6/IEC 60068-2-6 5g
	Shock in acc. with EN 60068-2-27/IEC 60068-2-27 30g
	Continuous shock according to EN 60068-2-27/IEC 60068-2-27 10g
Protection class	III, IEC 61140, EN 61140, VDE 0140-1

Environmental Product Compliance

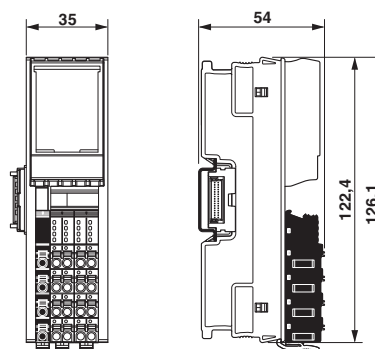
China RoHS	Environmentally friendly use period: unlimited = EFUP-e
	No hazardous substances above threshold values

Drawings

Connection diagram

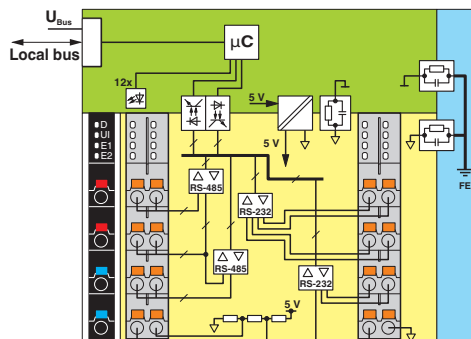


Dimensional drawing



Communication module - AXL F RS UNI XC 1H - 2702006

Block diagram



Internal wiring of the terminal points

Approvals

Approvals

Approvals

UL Listed / cUL Listed / LR / ABS / NK / BV / DNV GL / PRS / RINA / BSH / KR / cULus Listed

Ex Approvals

Approval details

UL Listed		http://database.ul.com/cgi-bin/XYV/template/LISEXT/1FRAME/index.htm	FILE E 238705
cUL Listed		http://database.ul.com/cgi-bin/XYV/template/LISEXT/1FRAME/index.htm	FILE E 238705
LR		http://www.lr.org/en	14-20019
ABS		http://www.eagle.org/eagleExternalPortalWEB/	17-HG1669996-PDA
NK		http://www.classnk.or.jp/hp/en/	14A006

Communication module - AXL F RS UNI XC 1H - 2702006

Approvals

BV		http://www.veristar.com/portal/veristarinfo/generalinfo/approved/approvedProducts/equipmentAndMaterials	36433/A2 BV
DNV GL		http://exchange.dnv.com/tari/	TAA00000DF
PRS		http://www.prs.pl/	TE/2106/880590/16
RINA		http://www.rina.org/en	ELE0078216XG
BSH		http://www.bsh.de/de/index.jsp	840
KR		http://www.krs.co.kr/eng/main/main.aspx	HMB17372-AC002
cULus Listed			

Phoenix Contact 2018 © - all rights reserved
<http://www.phoenixcontact.com>

PHOENIX CONTACT GmbH & Co. KG
Flachsmarktstr. 8
32825 Blomberg
Germany
Tel. +49 5235 300
Fax +49 5235 3 41200
<http://www.phoenixcontact.com>